

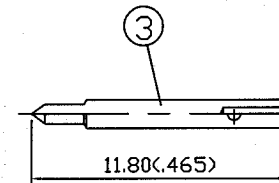
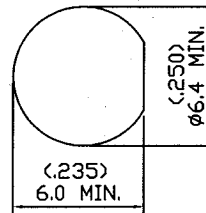
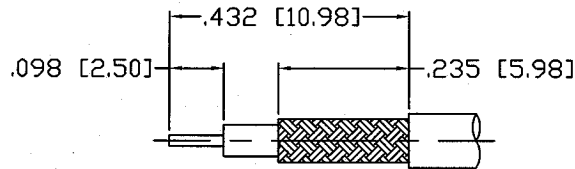
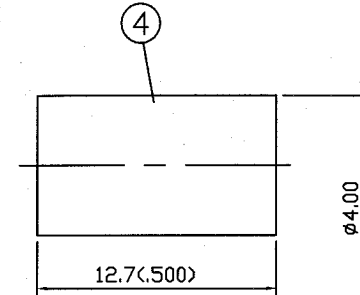
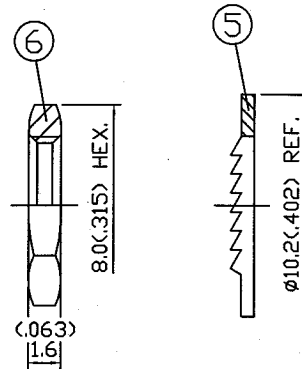
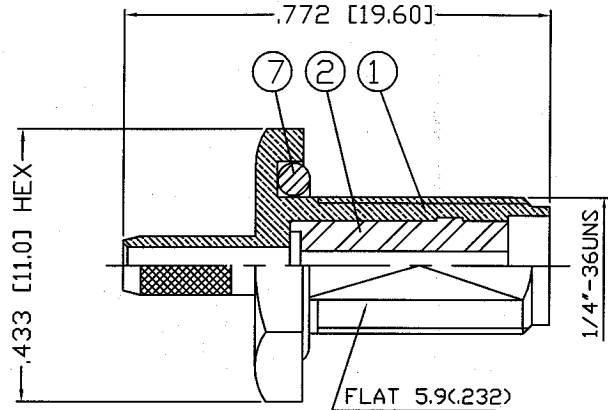
THIS DRAWING CONTAINS INFORMATION PROPRIETARY TO RF INDUSTRIES.
 ANY UNAUTHORIZED USE OF THIS DRAWING IS EXPRESSLY PROHIBITED
 WITHOUT WRITTEN PERMISSION FROM RF INDUSTRIES.
 ANY VIOLATION IS PUNISHABLE UNDER U.S. COPYRIGHT LAWS.

ALL DIMENSIONS ARE REFERENCE ONLY

PART NO.

RP-3252-1B-03

REV	DESCRIPTION	DWN	DATE	APPROVED
-	ENGINEERING RELEASE	JDM	10/19/01	JDMc



#	DESCRIPTION	QTY	MATRL	FINISH
1	BODY	1	BRASS	GOLD 3μ"
2	INSULATOR	1	TEFLON	---
3	PIN	1	BRASS	GOLD, 50μ"
4	FERRULE	1	BRASS	GOLD 3
5	WASHER	1	BRASS	GOLD 3μ"
6	NUT	1	BRASS	GOLD 3μ"
7	O-RING	1	SILICONE	BLACK
8				
9				
10				
11				
12				
13				
14				

007777	
DRAWN JDMc	10/19/01
CHECKED <i>JDMc</i>	10-19-01
ORJ DRAWN JDM	10/19/01
APPROVALS	DATE

UNLESS OTHERWISE SPECIFIED:

- REMOVE ALL BURRS
- BREAK ALL CORNERS & EDGES .005 R. MAX.
- CHAMFER 1ST & LAST THREADS 45°
- SURFACE ROUGHNESS 63 FINISH MIL-STD-10
- DIAMETERS ON COMMON CENTERS TO BE CONCENTRIC WITHIN .002 T.I.R.
- ALL DIMENSIONS ARE AFTER PLATING.

DIMENSIONS ARE IN INCHES AND [MILLIMETERS]
 UNLESS OTHERWISE NOTED TOLERANCES ARE:

DECIMALS	DIAMETER
.XXX±.003 [.08]	.XXX±.001 [.03]
.XX±.005 [.13]	.XX±.003 [.08]



7610 MIRAMAR RD
 SAN DIEGO, CA 92126
 (858) 549-6340
 (858) 549-6345 FAX

SMA JACK, BULKHEAD

REVERSE POLARITY

SIZE A	CABLE GROUP B	DWG NO. RP-3252-1B-03	REV -
SCALE: NTS		CAD FILE OUTLINE	SHEET 1 OF 1