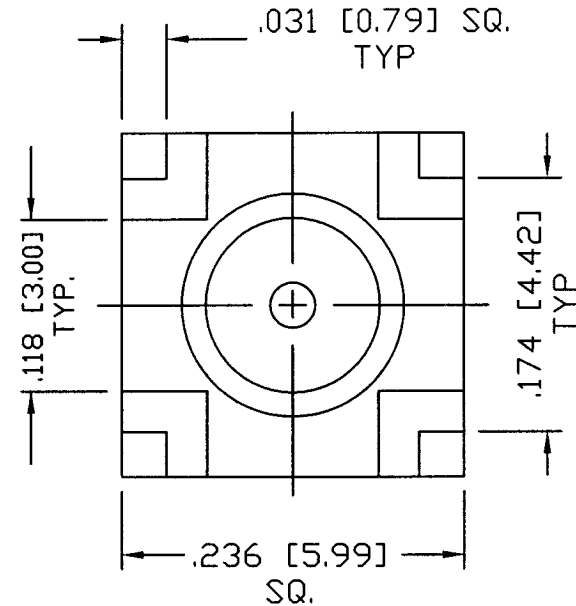
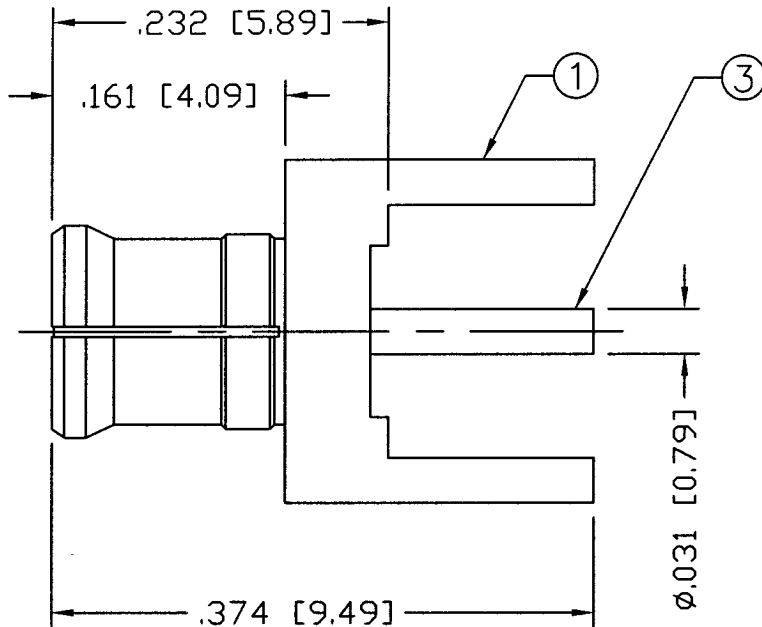


THIS DRAWING CONTAINS INFORMATION PROPRIETARY TO RF INDUSTRIES.
 ANY UNAUTHORIZED USE OF THIS DRAWING IS EXPRESSLY PROHIBITED
 WITHOUT WRITTEN PERMISSION FROM RF INDUSTRIES.
 ANY VIOLATION IS PUNISHABLE UNDER U.S. COPYRIGHT LAWS.

ALL DIMENSIONS ARE REFERENCE ONLY

PART NO.		RMX-8450-1		
REV	DESCRIPTION	DWN	DATE	APPROVED
-	ENGINEERING RELEASE	CZS	4/4/01	JDMc



SPECIFICATIONS:

IMPEDIANCE: 50 OHMS

1	BODY	1	BRASS	GOLD, 3 MICRO	000712	
2	INSULATOR	1	PTFE	----		
3	PIN	1	BRASS	GOLD, 3 MICRO		
4	PRESS WASHER	1	BRASS	GOLD, 3 MICRO		
5						
6						
7						
8						
9						
10						
11						
12						
13						
14						
#	DESCRIPTION	QTY	MATRL	FINISH	APPROVALS	DATE

DRAWN	C. ZUNIGA	4/4/01
CHECKED	JDMc	4-5-01
ORJ DRAWN	C. ZUNIGA	4/4/01


UNLESS OTHERWISE SPECIFIED:

- REMOVE ALL BURRS
- BREAK ALL CORNERS & EDGES .005 R. MAX.
- CHAMFER 1ST & LAST THREADS 45°
- SURFACE ROUGHNESS 63 FINISH MIL-STD-10
- DIAMETERS ON COMMON CENTERS TO BE CONCENTRIC WITHIN .002 T.I.R.
- ALL DIMENSIONS ARE AFTER PLATING.

DIMENSIONS ARE IN INCHES AND [MILLIMETERS]
 UNLESS OTHERWISE NOTED TOLERANCES ARE:

DECIMALS	DIAMETER
.xxx±.003 [.08]	.xxx±.001 [.03]
.xx±.005 [.13]	.xx±.003 [.08]

7610 MIRAMAR RD
 SAN DIEGO, CA 92126
 (858) 549-6340
 (858) 549-6345 FAX



MCX PLUG
 PCB MOUNT

SIZE A	CABLE GROUP N/A	DWG NO. RMX-8450-1	REV -
SCALE: NTS		CAD FILE OUTLINE	SHEET 1 OF 1