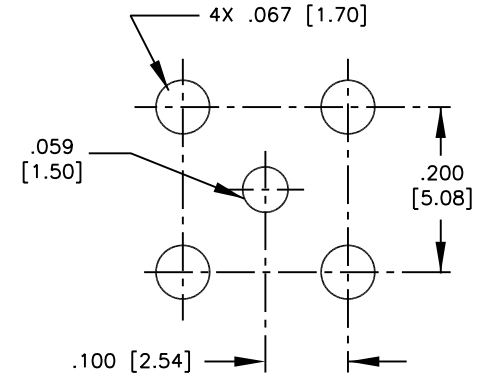
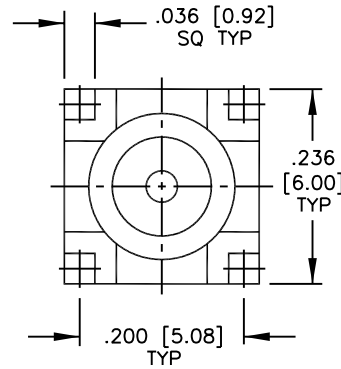
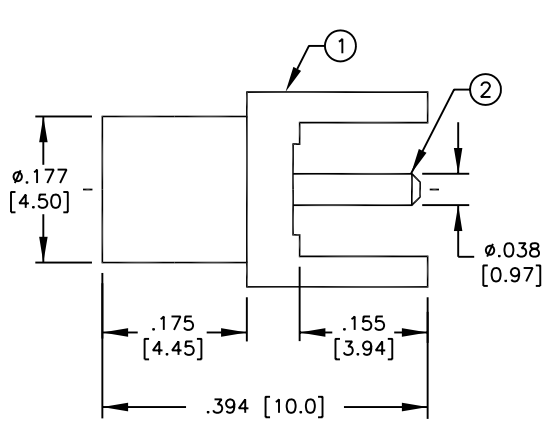


SPECIFICATION CONTROL DRAWING

THIS DRAWING CONTAINS INFORMATION PROPRIETARY TO RF INDUSTRIES, LTD. ANY UNAUTHORIZED USE OF THIS DRAWING IS EXPRESSLY PROHIBITED. ANY VIOLATION IS PUNISHABLE UNDER U.S. COPYRIGHT LAWS.

REV	DESCRIPTION	DWN	DATE	APPROVED
A	ENGINEERING RELEASE	CZS	11/6/97	R. RICE
B	WAS RFX-8350	CZS	6/3/99	R. RICE

ALL DIMENSIONS ARE REFERENCE ONLY



SUGGESTED MOUNTING CONFIGURATION

SPECIFICATIONS:

IMPEDANCE: 50 OHMS

DIMENSIONS ARE IN INCHES AND [MILLIMETERS]

UNLESS OTHERWISE NOTED TOLERANCES ARE:
DECIMALS DIAMETER

DRAWN	C. ZUNIGA	6/3/99
CHECKED		
ORJ DRAWN	C. ZUNIGA	11/6/97
APPROVALS		DATE

RF connectors
DIVISION OF RF INDUSTRIES, LTD.

7610 MIRAMAR RD
SAN DIEGO, CA 92126
(619)549-6340
(619)549-6345 FAX

RMX-8350

MCX JACK VERTICAL PCB MOUNT

SIZE	CABLE GROUP	DWG NO.	REV
A	N/A	RMX-8350	B
SCALE:	4:1	CAD FILE	13ARC B
SHEET			1 OF 1

ITEM	DESCRIPTION	QTY	MATERIAL	FINISH
3	DIELECTRIC	1	TEFLON	NONE
2	CONTACT	1	BeCu	GOLD
1	BODY	1	BRASS	NICKEL