

ENVELOPE / ASSEMBLY DRAWING

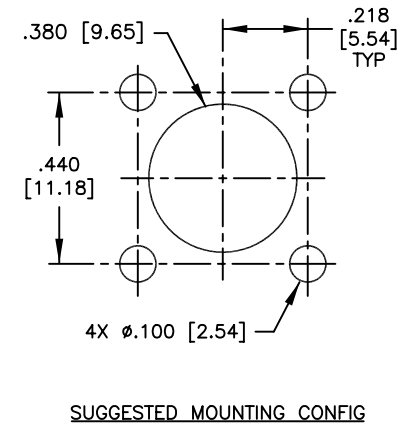
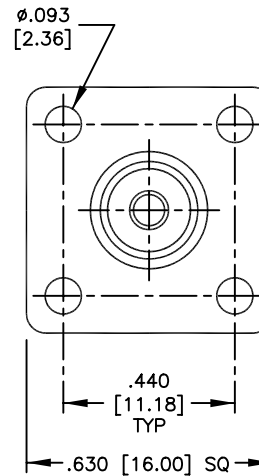
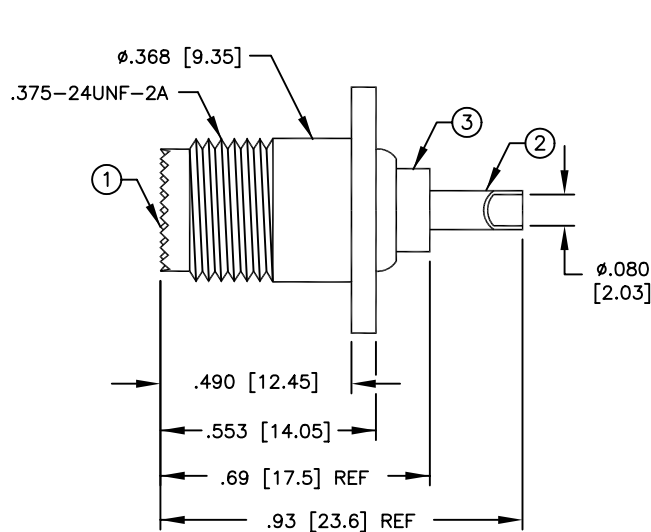
008974

SPECIFICATION CONTROL DRAWING

THIS DRAWING CONTAINS INFORMATION PROPRIETARY TO RF INDUSTRIES, LTD. ANY UNAUTHORIZED USE OF THIS DRAWING IS EXPRESSLY PROHIBITED. ANY VIOLATION IS PUNISHABLE UNDER U.S. COPYRIGHT LAWS.

REV	DESCRIPTION	DWN	DATE	APPROVED
A	ENGINEERING RELEASE	CZS	12/1/99	J. D. McR

ALL DIMENSIONS ARE REFERENCE ONLY



SPECIFICATIONS:

IMPEDANCE: 50 OHMS
 WORKING VOLTAGE: 335 VRMS @ SEA LEVEL
 FREQUENCY RANGE: 0-2.5 GHZ

DIMENSIONS ARE IN INCHES AND [MILLIMETERS]

UNLESS OTHERWISE NOTED TOLERANCES ARE:
 DECIMALS DIAMETER

RF connectors
 DIVISION OF RF INDUSTRIES, LTD.

7610 MIRAMAR RD
 SAN DIEGO, CA 92126
 (858) 549-6340
 (858) 549-6345 FAX

RFU-603-1

MINI UHF FEMALE, 4 HOLE FLANGE

ITEM	DESCRIPTION	QTY	MATERIAL	FINISH
4	PRESS FIT WASHER	1	BRASS	NICKEL
3	DIELECTRIC	1	PHENOLIC	PANTONE 129
2	CONTACT	1	BRASS	SILVER
1	BODY	1	DIECAST ZINC	NICKEL

DRAWN	C. ZUNIGA	12/1/99
CHECKED		
ORJ DRAWN	C. ZUNIGA	12/1/99
APPROVALS		
DATE		

SIZE	A	CABLE GROUP	N/A	DWG NO.	RFU6031	REV	A
SCALE:	2:1	CAD FILE	13ARC B	SHEET	1	OF	1