

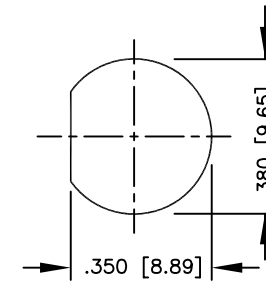
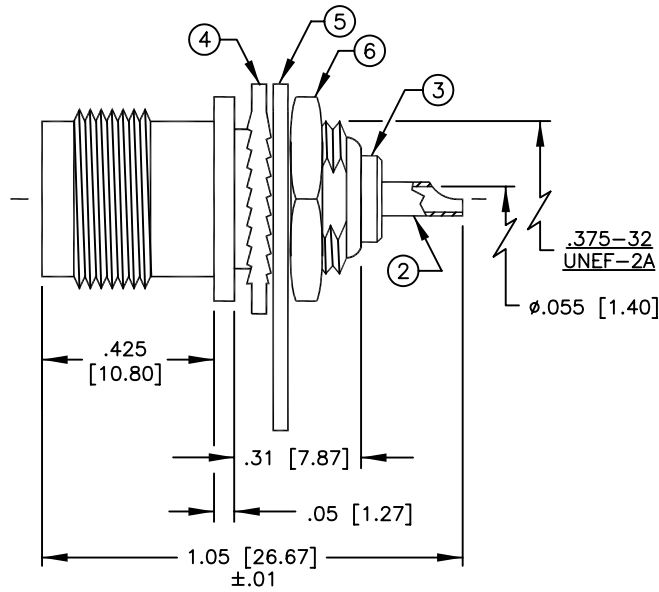
# ENVELOPE / ASSEMBLY DRAWING

008974

## SPECIFICATION CONTROL DRAWING

THIS DRAWING CONTAINS INFORMATION PROPRIETARY TO RF INDUSTRIES, LTD. ANY UNAUTHORIZED USE OF THIS DRAWING IS EXPRESSLY PROHIBITED. ANY VIOLATION IS PUNISHABLE UNDER U.S. COPYRIGHT LAWS.

| REV | DESCRIPTION         | DWN | DATE    | APPROVED |
|-----|---------------------|-----|---------|----------|
| A   | ENGINEERING RELEASE | CZS | 12/3/98 | R. RICE  |
| B   | CHANGE TOLERANCES   | CZS | 1/25/99 | R. RICE  |
|     |                     |     |         |          |



SUGGESTED MOUNTING CONFIGURATION

### SPECIFICATIONS:

IMPEDANCE: 50 OHMS  
 WORKING VOLTAGE: 500 VRMS @ SEA LEVEL  
 FREQUENCY RANGE: 0-7 GHz  
 INTERFACE PER MIL-STD-348A, SECTION 313.2

DIMENSIONS ARE IN INCHES AND [MILLIMETERS]

UNLESS OTHERWISE NOTED TOLERANCES ARE:

DECIMALS DIAMETER  
 .XXX±.008 [.20] .XXX±.001 [.03]  
 .XX±.016 [.41] .XX±.003 [.08]  
 ANGLES: ±1°

DRAWN C. ZUNIGA 1/25/99

CHECKED

ORJ DRAWN C. ZUNIGA 12/3/98

APPROVALS DATE

**RFconnectors**  
 DIVISION OF RF INDUSTRIES, LTD.

7610 MIRAMAR RD  
 SAN DIEGO, CA 92126  
 (619)549-6340  
 (619)549-6345 FAX

## RFT-1211-1-03

TNC FEMALE BULKHEAD, FRONT MOUNT

|      |             |         |     |
|------|-------------|---------|-----|
| SIZE | CABLE GROUP | DWG NO. | REV |
| A    | N/A         | 8987    | B   |

|            |                  |              |
|------------|------------------|--------------|
| SCALE: 2:1 | CAD FILE 13ARC B | SHEET 1 OF 1 |
|------------|------------------|--------------|

| ITEM | DESCRIPTION    | QTY | MATERIAL | FINISH |
|------|----------------|-----|----------|--------|
| 6    | HEX NUT        | 1   | BRASS    | NICKEL |
| 5    | SOLDER LUG     | 1   | BRASS    | NICKEL |
| 4    | LOCKING WASHER | 1   | BRASS    | NICKEL |
| 3    | DIELECTRIC     | 1   | TEFLON   | NONE   |
| 2    | CONTACT        | 1   | BeCu     | GOLD   |
| 1    | BODY           | 1   | BRASS    | NICKEL |