

ENVELOPE / ASSEMBLY DRAWING

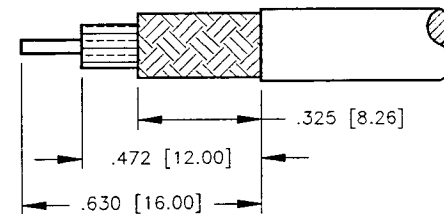
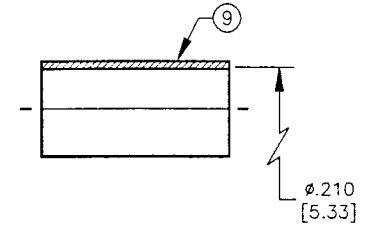
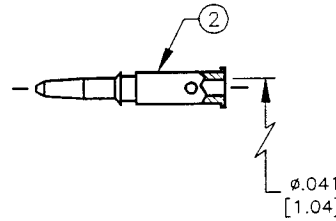
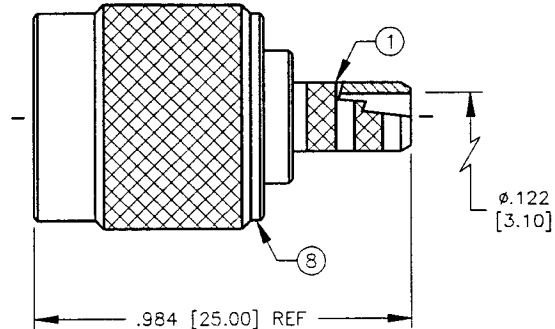
008974

SPECIFICATION CONTROL DRAWING

THIS DRAWING CONTAINS INFORMATION PROPRIETARY TO RF INDUSTRIES, LTD. ANY UNAUTHORIZED USE OF THIS DRAWING IS EXPRESSLY PROHIBITED. ANY VIOLATION IS PUNISHABLE UNDER U.S. COPYRIGHT LAWS.

REV	DESCRIPTION	DWN	DATE	APPROVED
A	ENGINEERING RELEASE	CZS	3/24/99	R. RICE

ALL DIMENSIONS ARE REFERENCE ONLY



SUGGESTED STRIPPING INSTRUCTIONS
SUGGESTED CRIMP DIES: .068 & .213

SPECIFICATIONS:

IMPEDANCE: 50 OHMS
WORKING VOLTAGE: 500 VRMS @ SEA LEVEL
FREQUENCY RANGE: 0-7 GHz
INSERTION LOSS: < -2 dB @ 3 GHz
VSWR MAX: 1.3:1 @ 3 GHz
FOR RG-58, 58A, 58C, 141, 141A, 400/U, BELDEN 8240, 8259, 8262, 9201, 9203, 9310, 9311, COMM/SCOPE 0268 & CUSHCRAFT ULTRALINK TL92463E INTERFACE PER MIL-STD-348A, SECTION 313.1

QTY	DESCRIPTION	MATERIAL	FINISH
1	FERRULE	COPPER	NICKEL
1	SHELL	BRASS	NICKEL
1	WASHER	BRASS	NICKEL
1	RING	DELTRIN	NONE
1	RETAINING RING	BRASS	NONE
1	GASKET	S.I. RUBBER	RED
1	DIELECTRIC	TEFLON	NONE
1	PIN	BRASS	GOLD
1	BCDY	BRASS	NICKEL

DIMENSIONS ARE IN INCHES AND [MILLIMETERS]
UNLESS OTHERWISE NOTED TOLERANCES ARE:
DECIMALS DIAMETER

DRAWN C. ZUNIGA	3/24/99
CHECKED <i>C. Zuniga</i>	4/9/99
OR DRAWN C. ZUNIGA	3/24/99

RF connectors
DIVISION OF RF INDUSTRIES, LTD.

7610 MIRAMAR RD
SAN DIEGO, CA 92126
(619) 549-6340
(619) 549-6345 FAX

RFT-1202-2T

TNC MALE CRIMP

SIZE A	CABLE GROUP C	DWG NO. 9125	REV A
SCALE: 2:1		CAD FILE 13ARC B	SHEET 1 OF 1

ITEM	DESCRIPTION	QTY	MATERIAL	FINISH
------	-------------	-----	----------	--------

APPROVALS	DATE
-----------	------