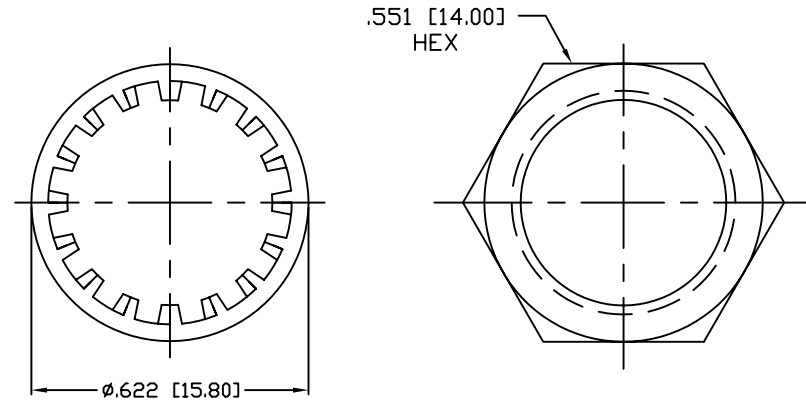
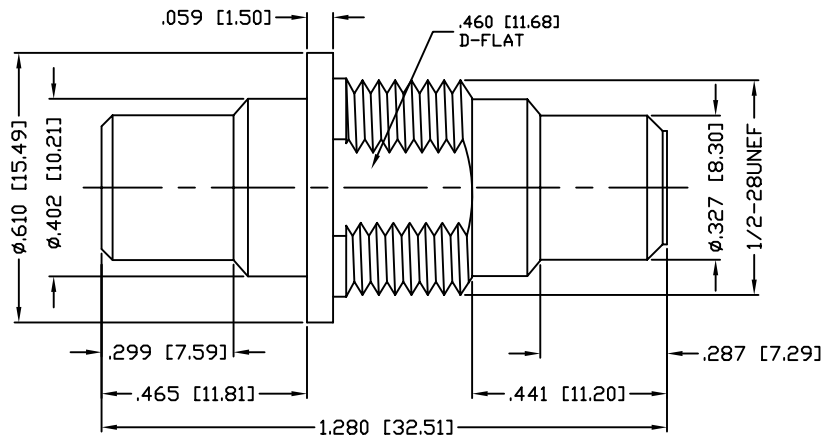


THIS DRAWING CONTAINS INFORMATION PROPRIETARY TO RF INDUSTRIES,  
 ANY UNAUTHORIZED USE OF THIS DRAWING IS EXPRESSLY PROHIBITED  
 WITHOUT WRITTEN PERMISSION FROM RF INDUSTRIES.  
 ANY VIOLATION IS PUNISHABLE UNDER U.S. COPYRIGHT LAWS.

ALL DIMENSIONS ARE REFERENCE ONLY

PART NO. <b>RCA-1950-03</b>				
REV	DESCRIPTION	DWN	DATE	APPROVED
-	ENGINEERING RELEASE	CZS	4/22/05	JDMc



1	BODY	1	BRASS	NICKEL, 100 $\mu$ "	000447	
2	INSULATOR	1	DELRIN	---		
3	CONTACT	1	BRASS	GOLD, 3 $\mu$ "		
4	WASHER	1	STEEL	NICKEL, 100 $\mu$ "		
5	HEX NUT	1	BRASS	NICKEL, 100 $\mu$ "		
6						
7						
8						
9						
10						
11						
12						
13						
14						
#	DESCRIPTION	QTY	MATERIAL	FINISH	APPROVALS	DATE

UNLESS OTHERWISE SPECIFIED:

DIMENSIONS ARE IN INCHES AND [MILLIMETERS]  
 UNLESS OTHERWISE NOTED TOLERANCES ARE:

DECIMALS	DIAMETER
----------	----------

**RF connectors**  
 DIVISION OF RF INDUSTRIES, LTD.

7610 MIRAMAR RD  
 SAN DIEGO, CA 92126  
 (858) 549-6340  
 (858) 549-6345 FAX

## RCA JACK TO JACK

BULKHEAD, ADAPTER

SIZE	CABLE GROUP	DWG NO.	REV
A	N/A	RCA-1950-03	-

SCALE: NTS      CAD FILE      OUTLINE      SHEET 1 OF 1