

ENVELOPE / ASSEMBLY DRAWING

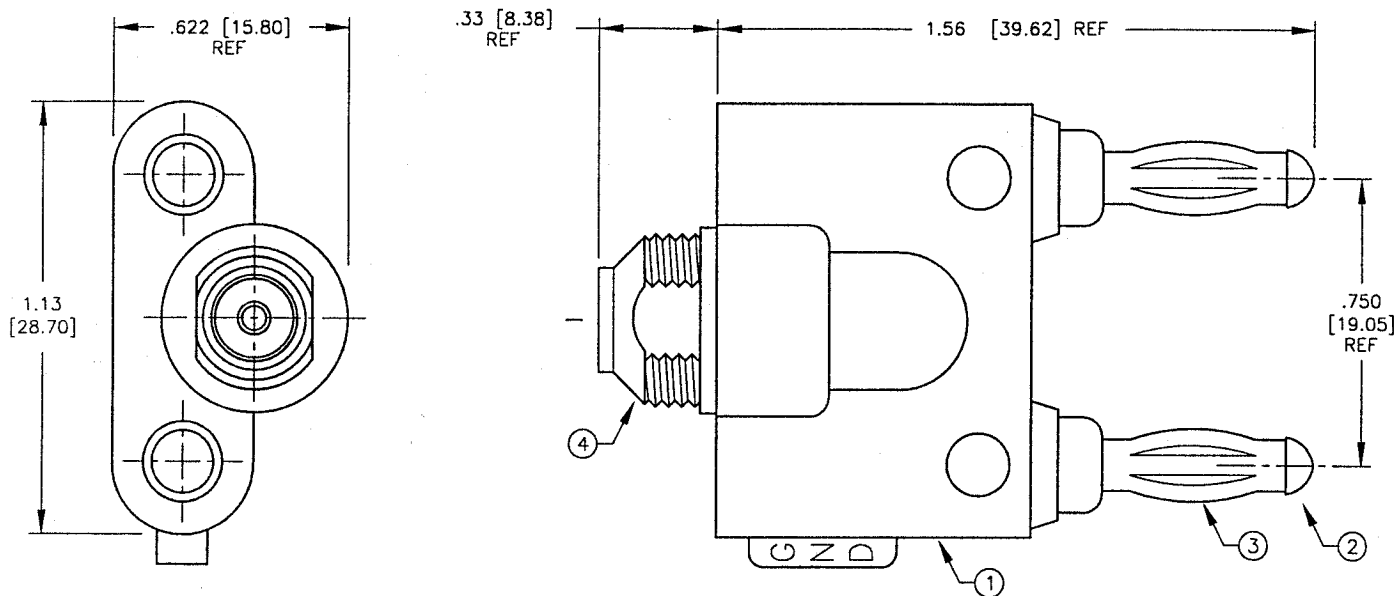
000000

SPECIFICATION CONTROL DRAWING

THIS DRAWING CONTAINS INFORMATION PROPRIETARY TO RF INDUSTRIES, LTD. ANY UNAUTHORIZED USE OF THIS DRAWING IS EXPRESSLY PROHIBITED. ANY VIOLATION IS PUNISHABLE UNDER U.S. COPYRIGHT LAWS.

REV	DESCRIPTION	DWN	DATE	APPROVED
A	ENGINEERING RELEASE	KMM	12/11/98	R. RICE

ALL DIMENSIONS ARE REFERENCE ONLY



SPECIFICATIONS:

ITEM	DESCRIPTION	QTY	MATERIAL	FINISH
6	CONNECTOR DIELECTRIC	1	TEFLON	NONE
5	CONNECTOR CONTACT	1	BRASS	GOLD
4	CONNECTOR BODY	1	BRASS	SILVER
3	SPRING	2	BeCu	NICKEL
2	ADAPTER POST	2	BRASS	NICKEL
1	ADAPTER BODY	1	ABS	BLACK

DIMENSIONS ARE IN INCHES AND [MILLIMETERS]
UNLESS OTHERWISE NOTED TOLERANCES ARE:
DECIMALS DIAMETER

DRAWN	K. MAXWELL	12/11/98
CHECKED	<i>[Signature]</i>	12/23/98
OR DRAWN	K. MAXWELL	12/11/98

RF connectors
DIVISION OF RF INDUSTRIES, LTD.

7610 MIRAMAR RD
SAN DIEGO, CA 92126
(619)549-6340
(619)549-6345 FAX

PT-4010-021

UNIDAPT MALE TO DOUBLE BANANA PLUG

SIZE	CABLE GROUP	DWG NO.	REV
A	N/A	8989	A