

# COMP-TM-400

## Compression Connector

Cable Types: LMR®-400, RG-8/U, WBC400,  
AA-6146, CBL-CU400 & Eupen 213RTS

### Components

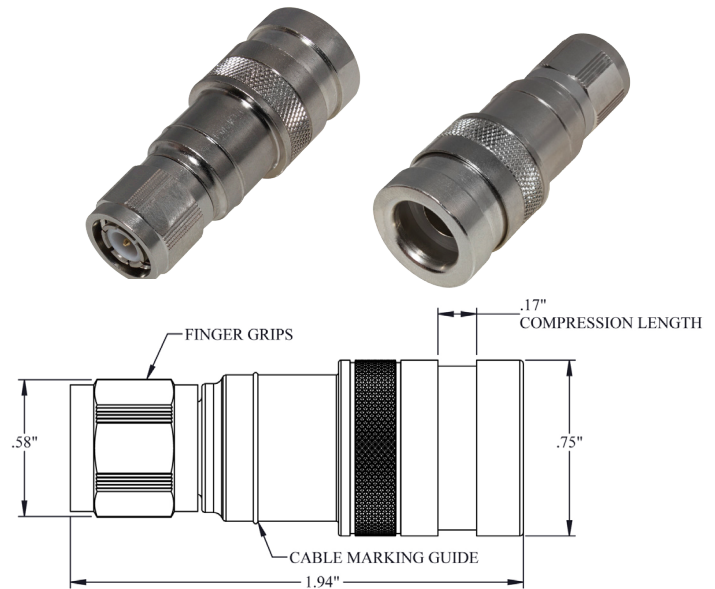
Interface Type	TNC, Male
Body & Hex Coupling Nut	White Bronze (tri-metal)
Inner Contact	Gold Plated Brass
Internal Post	Tin Plated Brass
Compression Ring	Brass
Clamp	UHMWPE
Insulator	Ultem® 1000
Gasket	Silicone Rubber

### Environmental

Moisture Resistance Test	MIL-STD-202F, Method 106F
Mechanical Shock Test	MIL-STD-202F, Method 213B, Test Condition C
Corrosion Test	MIL-STD-1344A, Method 1001.1, Test Condition A
Thermal Shock Test	MIL-STD-202F, Method 107G, Test Condition A-1, Low Temp -55°C
Vibration Test	IEC 68, PART 2-6
Operating Temp. Range	-67°F to +185°F / -55°C to +85°C
Storage Temperature	-67°F to +185°F / -55°C to +85°C
Immersion Test	IEC 529:1989, IP68
Immersion Depth	12"   0.31 m
Water Jetting Test	IEC 529:1989, IP66

### Mechanical

Inner Attachment Method	360° Collet
Outer Attachment Method	Compression
Connector Weight	1.565 oz.   44.4 g
Minimum Connector Retention Tensile Force	890 N   200 lbs.
Minimum Coupling Nut Torque	14 in-lbs.   1.6 N-m
Hex Width	0.55"   14 mm



### Electrical Characteristics

Maximum Operating Frequency	6 GHz
Connector Impedance	50 Ω
Return Loss	-35 dB, 0-1 GHz -32 dB, 1-3 GHz
Insertion Loss	.10 √freq (GHz)

### Tools

Complete Tool Kit	KIT400NT
<i>KIT400 includes the following tools, replacements may also be ordered</i>	
Compression Tool	VT500
Cable Cutter	CXC
Prep Tool, Cartridge Trimmer	SDT400-50
Replacement Blades	RC400-50
Insertion Tool for N Connector	IT50NM
Adapter, Insertion Tool for TNC	IT50TA
Torque Wrench for N Connector	TW1412
Torque Wrench for TNC Connector	TW08X14MM
Marking Guide	MCAP400
Marking Pen	PEN-50
Tool Bag	POUCH-50
<i>optional Tools</i>	
Torque Wrench for 7-16 DIN Connector	TQ-114-F18 (optional)
Prep Tool/Cable Devil™	RFA-4420 (optional)

*Notes: Specifications subject to change without notice. Comp Pro is a registered trademark of RF Industries. LMR is a registered trademark of Times Microwave Systems.*