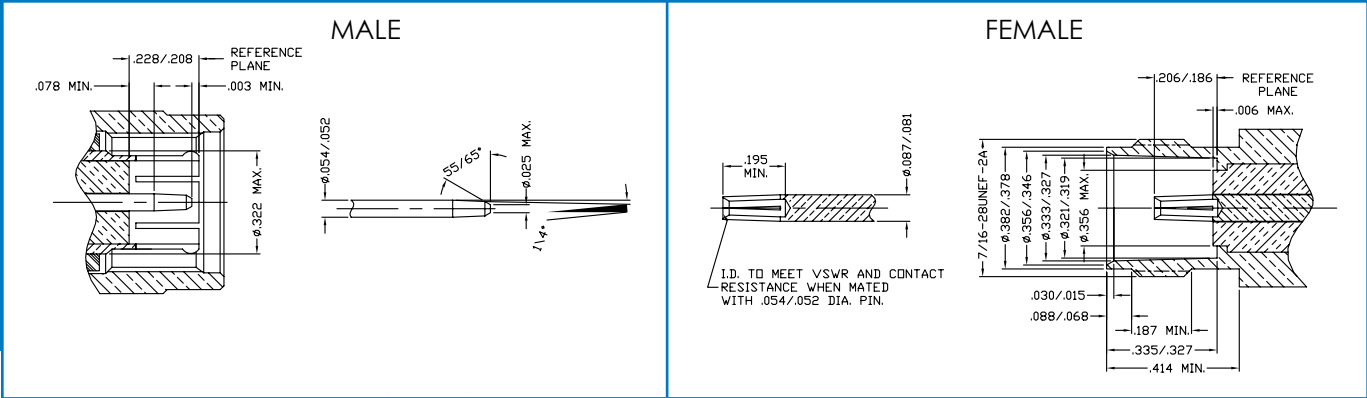


TNC — 75 Ohm

TNC 75 ohm



SPECIFICATIONS	CABLE GROUPS	
ELECTRICAL SPECIFICATIONS IMPEDANCE: 75 Ω WORKING VOLTAGE RATING: 500 VRMS FREQUENCY RANGE: 0-1 GHz MECHANICAL SPECIFICATIONS MATING: 7-16 TO 28 THREADED COUPLING INTERFACE: MIL-STD-348, AS APPLICABLE CABLING: CLAMP, SOLDER, CRIMP AND TWIST-ON PLATING G - GOLD N - NICKEL S - SILVER DIELECTRIC MATERIAL D - DELRIN T - TEFLON	GRP	FOR THESE CABLE TYPES
	D	RG-59, 59A, 59B, 62, 62A, 62C/U; ALPHA 9059, 9062, 9830, 9840, 9845; BELDEN 8221, 8241, 9169, 9204, 9228; CANARE LV-61S; COMMSCOPE 5550, 5555, 5560, 5563
	R	RG-11/U TYPE; BELDEN 8213, 8238, 8261, 9011, 9292; COMMSCOPE 3247, 5901, 5903, 5908, 5909, 5916, 5916R, 5918



PHOTOS FOR REFERENCE ONLY, SHOWN AT 100% ACTUAL SIZE.

PART #	FIG	DESCRIPTION	CBL GRP	NOTES	REPLACES OR EQUIVALENT TO	PLATING			RECOMMENDED TOOL
						BDY	P/C	DIE	
RFT-1801	1	MALE CLAMP	D	FOR RG-59/U		N	S	T	
RFT-1803-1	2	MALE CRIMP	D	FOR RG-59/U	MS39012/26-0012	N	G	D	RFA-4009-203
RFT-1803-R	2	MALE CRIMP	R	FOR RG-11/U		N	G	T	RFA-4005
RFT-1805	3	MALE SOLDERLESS CLAMP	D	FOR RG-59/U	AMPH. 31-5061	N	S	D	
RFT-1813	4	FEMALE CRIMP BULKHEAD	D	REAR MOUNT W/ D FLAT & O-RING, FOR RG-59/U	MS39012/28-0012	N	G	D	RFA-4009-203