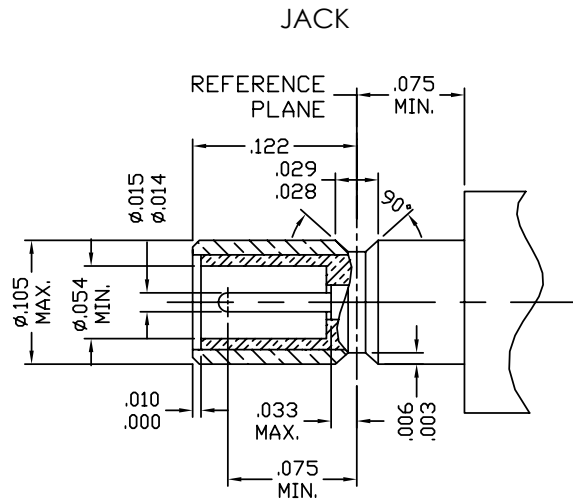


NOTE 1: I.D. TO MEET VSWR AND CONTACT RESISTANCE WHEN MATED WITH .015/.014 DIA. PIN



### SPECIFICATIONS

#### ELECTRICAL SPECIFICATIONS

IMPEDANCE: 50 Ω  
 WORKING VOLTAGE RATING: 250 VRMS @ SEA LEVEL  
 FREQUENCY RANGE: 0-12.4 GHz

#### MECHANICAL SPECIFICATIONS

MATING: FORCE TO ENGAGE  
 INTERFACE: MIL-STD-348  
 CABLING: CRIMP AND SOLDER

#### PLATING

G - GOLD

#### DIELECTRIC MATERIAL

T - TEFLON

### CABLE GROUPS

GRP	FOR THESE CABLE TYPES
B	TIMES LMR-100A; RG-174, 188, 188A, 316/U; ALPHA 9174, 9316; BELDEN 7805A, 8216, 83269, 83284, 84316; COMMSCOPE AMC-174, WBC-100
B1	RG-316/U DOUBLE SHIELD; RD-316; BELDEN 83269; COLEMAN 1596
S	RG-161, 179, 179A, 187, 187A/U; BELDEN 1520A, 1521A, 1522A, 9221; COMMSCOPE 15-55340



FIG. 1  
RSB-700-179-1

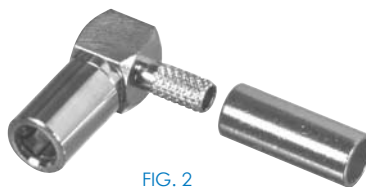


FIG. 2  
RSB-710-1B

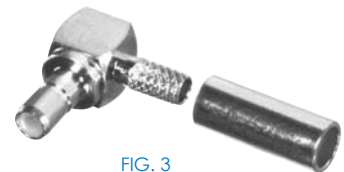


FIG. 3  
RSB-750-1B, -1B1

PHOTOS FOR REFERENCE ONLY, SHOWN AT 150% ACTUAL SIZE.

PART #	FIG	DESCRIPTION	CBL GRP	NOTES	PLATING			RECOM-MENDED TOOL
					BDY	P/C	DIE	
RSB-700-179-1	1	CRIMP PLUG	S	FOR RG-179/U	G	G	T	RFA-4009-204
RSB-710-1B	2	PLUG, RIGHT ANGLE CRIMP	B	FOR RG-316/U	G	G	T	RFA-4009-204
RSB-750-1B	3	JACK, RIGHT ANGLE CRIMP	B	FOR RG-316/U	G	G	T	RFA-4009-204
RSB-750-1B1	3	JACK, RIGHT ANGLE CRIMP	B1	FOR RG-316/U DOUBLE SHIELD	G	G	T	RFA-4009-204