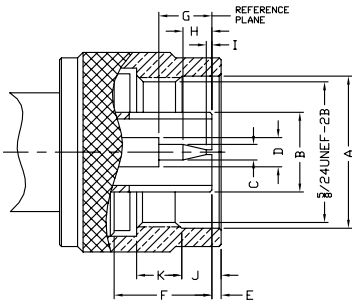
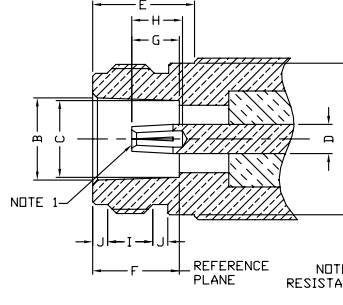


MALE



| LETTER | INCHES [MILLIMETERS] | MINIMUM | MAXIMUM | |
|--------|----------------------|---------|---------|---------|
| A | .630 | [16.00] | - | |
| B | - | .330 | [8.38] | |
| C | .063 | [1.60] | .066 | [1.68] |
| D | .118 | [3.00] | .124 | [3.15] |
| E | .016 | [0.41] | .060 | [1.52] |
| F | .398 | [10.11] | .412 | [10.46] |
| G | .210 | [5.33] | .230 | [5.84] |
| H | .130 | [3.30] | .170 | [4.32] |
| I | .003 | [0.08] | - | |
| J | .158 | [4.01] | .168 | [4.27] |
| K | .177 | [4.50] | .197 | [5.00] |

FEMALE



| LETTER | INCHES [MILLIMETERS] | MINIMUM | MAXIMUM | |
|--------|----------------------|---------|---------|--------|
| A | - | .628 | [15.93] | |
| B | .336 | [8.53] | .344 | [8.74] |
| C | .316 | [8.03] | .320 | [8.13] |
| D | .118 | [3.00] | .124 | [3.15] |
| E | .422 | [10.72] | - | |
| F | .356 | [9.04] | .362 | [9.19] |
| G | .187 | [4.75] | .207 | [5.26] |
| H | .210 | [5.33] | - | |
| I | .172 | [4.37] | .202 | [5.13] |
| J | .047 | [1.19] | .077 | [1.96] |

NOTE 1: I.D. TO MEET VSWR AND CONTACT RESISTANCE WHEN MATED WITH .063/.066 DIA. PIN

SPECIFICATIONS

ELECTRICAL SPECIFICATIONS

IMPEDANCE: 50 Ω
 WORKING VOLTAGE RATING: 1,000 VRMS,
 CABLE DEPENDENT
 FREQUENCY RANGE: 0-11 GHz

MECHANICAL SPECIFICATIONS

MATING: 5/8 - 24 THREADED COUPLING
 INTERFACE: MIL-STD-348, SECTION 304
 CABLING: CLAMP, SOLDER AND CRIMP

PLATING

G - GOLD
 N - NICKEL
 S - SILVER
 WB - WHITE BRONZE

DIELECTRIC MATERIAL

T - TEFLON

CABLE GROUPS

| GRP | FOR THESE CABLE TYPES |
|-----|---|
| B | TIMES LMR-100A; RG-174, 188, 188A, 316/U; ALPHA 9174, 9316; BELDEN 7805A, 8216, 83269, 83284, 84316; COMMSCOPE AMC-174, WBC-100 |
| B1 | RG-316/U DOUBLE SHIELD; RD-316; BELDEN 83269; COLEMAN 1596 |
| C | TIMES LMR-195; RG-58, 58A, 58C, 141, 141A/U; ANDREW CNT-195, CNT-195-DB, CNT-195-FR; BELDEN 7806A, 8219, 8240, 8259, 8262, 9201, 9203, 9310, 9311; COMMSCOPE WBC-195, WBC-195R, 0268, TCOM-195, TCOM-195-FR; HARBOUR HPF195 |
| C1 | RG-55, 55A, 55B, 142, 142A, 142B, 223, 400/U; ALPHA 9055, 9055B, 9223; BELDEN 7806A, 83242, 84142 |
| C2 | TIMES LMR-200, MSI-22; ALPHA 9848; BELDEN 7807A; COMMSCOPE AMC-58LL, WBC-200, WBC-200R, TCOM-200, TCOM-200-FR; HARBOUR HPF200 |
| C3 | RG-58/U PLENUM, RG-122/U; ALPHA 9859, 9158S; BELDEN 82240, 82907, 88240, 89907 |
| D | RG-59, 59A, 59B, 62, 62A, 62C/U; ALPHA 9059, 9062, 9830, 9840, 9845; BELDEN 8221, 8241, 9169, 9204, 9228; CANARE LV-61S; COMMSCOPE 5550, 5555, 5560, 5563 |
| E | TIMES AA-4478; RG-8, 8A, 213/U; ALPHA 9008, 9213; BELDEN 8267, 9251, 9880, 89880; INTERCOMP 4082, 22132 |
| F | RG-9, 9A, 9B, 214/U; ALPHA 9214; BELDEN 8242, 8268 |
| I | TIMES AA-5886, AA-6146, LMR-400, LMR-400 ULTRAFLEX; ANDREW CNT-400, CNT-400AL, CNT-400-DB, CNT-400-FR, CNT-400-FRP; BELDEN 7810A, 8214, 9913; COMMSCOPE TCOM-400, TCOM-400-FR, TCOM-400-PUR, WBC-400, WBC-400R, CUSHCRAFT ULTRALINK TL9360S; HARBOUR HPF400 |
| L2 | TIMES LMR-600, LMR-600 ULTRAFLEX; ANDREW CNT-600, CNT-600-DB, CNT-600-FR; ; COMMSCOPE TCOM-600, TCOM-600-FR, TCOM-600-PUR, WBC-600, WBC-600R |
| L6 | TIMES LMR-300; ANDREW CNT-300, CNT-300AL, CNT-300-DB, CNT-300-FR; BELDEN 7809; COMMSCOPE TCOM-300, TCOM-300-FR, WBC-300 |
| M | TIMES MSI-15; RG-122/U; BELDEN 82907, 88240, 89907; MOTOROLA WHITE TEFLON |
| P | TIMES AA-3096; ANTENNA SPECIALIST K214, PRO-FLEX 800 |
| PL | BELDEN 89913 |
| SR1 | .085 SEMI RIGID; RG-405/U; BELDEN 1671A; RD-179 |
| SR2 | .141 SEMI RIGID; RG-402/U; BELDEN 1673A |
| SR3 | .250 SEMI RIGID; RG-401/U |
| X | TIMES LMR-240, LMR-240 ULTRAFLEX; RG-8X; ANDREW CNT-240, CNT-240AL, CNT-240ALS, CNT-240-DB, CNT-240-FR, CNT-240-W; BELDEN 9258; COMMSCOPE TCOM-240, TCOM-240-FR, WBC-240, WBC-240R; HARBOUR HPF240; MICRO 8/U; REMEE 1600; SAXTON 8315 |



FIG. 1
RFN-1000-1S,
-C2, -C2S, -N



FIG. 2
RFN-1001-S



FIG. 3
RFN-1002-1N,
-1S, -1SI, -PL



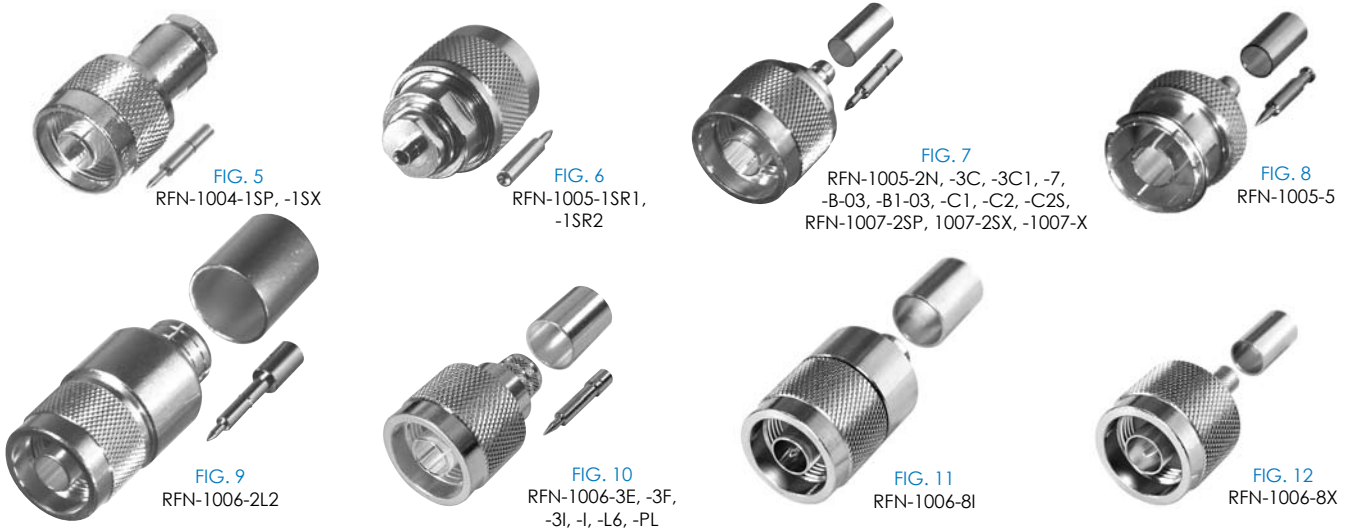
FIG. 4
RFN-1002-2L2



Strain reliefs for RG-58/U — available separately
 PT-4015-03-BK (black), PT-4015-03-BL (blue)

N CONNECTORS AND IN-SERIES ADAPTERS

N



PHOTOS FOR REFERENCE ONLY, SHOWN AT 75% ACTUAL SIZE.

| PART # | FIG | DESCRIPTION | CBL GRP | NOTES | REPLACES OR EQUIVALENT TO | PLATING | | | RECOMMENDED TOOL |
|----------------|-----|-------------|-----------------------------|--|---------------------------------------|---------|-----|-----|-----------------------------|
| | | | | | | BDY | P/C | DIE | |
| RFN-1000-1S | 1 | MALE CLAMP | C, C1 | FOR RG-58/U & RG-142/U | UG-536A/U | S | G | T | RFA-4009-206 |
| RFN-1000-C2 | 1 | MALE CLAMP | C2 | FOR TIMES LMR-200 | | N | G | T | RFA-4009-206 |
| RFN-1000-C2S | 1 | MALE CLAMP | C2 | FOR TIMES LMR-200 | | S | G | T | RFA-4009-206 |
| RFN-1000-N | 1 | MALE CLAMP | C, C1 | FOR RG-58/U & RG-142/U | UG-536B/U | N | G | T | RFA-4009-206 |
| RFN-1001-S | 2 | MALE SOLDER | C, C1, C2, D, E, F, I, P, X | FOR CABLE GROUP C, C1, C2 USE WITH REDUCER RFU-530, FOR CABLE GROUPS D, P & X USE WITH REDUCER RFU-531. CONNECTOR WILL ACCEPT MAXIMUM CENTER CONDUCTOR OF OD .108 [2.74] | | S | G | T | SOLDER ONLY |
| RFN-1002-1N | 3 | MALE CLAMP | E | FOR RG-8/U | UG-21B/U, D/U, E/U | N | G | T | RFA-4009-206 |
| RFN-1002-1S | 3 | MALE CLAMP | E | FOR RG-8/U | UG-21B/U, D/U, E/U | S | G | T | RFA-4009-206 |
| RFN-1002-1SI | 3 | MALE CLAMP | I | FOR BELDEN 9913 & TIMES LMR-400 | | S | G | T | RFA-4005-200 |
| RFN-1002-2L2 | 4 | MALE CLAMP | L2 | FOR TIMES LMR-600 | | S | G | T | SOLDER ONLY |
| RFN-1002-PL | 3 | MALE CLAMP | PL | FOR BELDEN 89913 PLENUM | | S | G | T | RFA-4009-205 |
| RFN-1004-1SP | 5 | MALE CLAMP | P | FOR PROFLEX | | S | G | T | RFA-4009-206 |
| RFN-1004-1SX | 5 | MALE CLAMP | X | FOR RG-8/X & TIMES LMR-240 | | S | G | T | RFA-4009-206 |
| RFN-1005-1SR1 | 6 | MALE | SR1 | FOR .085 SEMI-RIGID | DIRECT SOLDER | N | G | T | SOLDER ONLY |
| RFN-1005-1SR2 | 6 | MALE | SR2 | FOR .141 SEMI-RIGID | DIRECT SOLDER | N | G | T | SOLDER ONLY |
| RFN-1005-2N | 7 | MALE CRIMP | C | FOR RG-58/U | | N | G | T | RFA-4009-206 |
| RFN-1005-3C | 7 | MALE CRIMP | C | FOR RG-58/U | | S | G | T | RFA-4009-206 |
| RFN-1005-3C1 | 7 | MALE CRIMP | C1 | FOR RG-142/U | | S | G | T | RFA-4009-206 |
| RFN-1005-5 | 8 | MALE CRIMP | C | QUICK DISCONNECT, FOR RG-58/U | | S | G | T | RFA-4009-206 |
| RFN-1005-7 | 7 | MALE CRIMP | C3, M | FOR MOTOROLA WHITE TEFLON, RG-58 PLENUM OR BELDEN 89907 | | S | G | T | RFA-4009-206 |
| RFN-1005-B-03 | 7 | MALE CRIMP | B | FOR RG-174/U & RG-316/U | | N | G | T | RFA-4005-200 |
| RFN-1005-B1-03 | 7 | MALE CRIMP | B1 | FOR RD-174/U & RG-316/U | | N | G | T | RFA-4005-200 |
| RFN-1005-C1 | 7 | MALE CRIMP | C1 | FOR RG-142/U | | N | G | T | RFA-4009-206 |
| RFN-1005-C2 | 7 | MALE CRIMP | C2 | FOR TIMES LMR-200 | | N | G | T | RFA-4009-206 |
| RFN-1005-C2S | 7 | MALE CRIMP | C2 | FOR TIMES LMR-200 | | S | G | T | RFA-4009-206 |
| RFN-1006-2L2 | 9 | MALE CRIMP | L2 | FOR TIMES LMR-600 | | S | G | T | RFA-4005-305 & RFA-4009-201 |
| RFN-1006-3E | 10 | MALE CRIMP | E | FOR RG-8/U | UG-1681/U | S | G | T | RFA-4009-205 |
| RFN-1006-3F | 10 | MALE CRIMP | F | FOR RG-214/U | UG-1682/U | S | G | T | RFA-4009-205 |
| RFN-1006-3I | 10 | MALE CRIMP | I | FOR BELDEN 9913 & TIMES LMR-400 | | S | G | T | RFA-4005-200 |
| RFN-1006-8I | 11 | MALE CRIMP | I | FOR TIMES LMR-400; KNURLED SHELL; 2-PIECE DESIGN | FOR SOLID CENTER CONDUCTOR CABLE ONLY | N | G | T | RFA-4009-205 |
| RFN-1006-8X | 12 | MALE CRIMP | X | FOR RG-8/X & TIMES LMR-240 | | N | G | T | RFA-4009-203 |

N CONNECTORS AND IN-SERIES ADAPTERS — continued ←

N



FIG. 13
RFN-1006-9I



FIG. 14
RFN-1006-9L2



FIG. 15
RFN-1006-9X



FIG. 16
RFN-1006-I-WB



FIG. 17
RFN-1009-3E, -3I, -PL

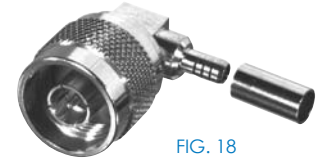


FIG. 18
RFN-1009-B-03,
-C-03, -C1-03



FIG. 19
RFN-1009-C, -C1, -C2

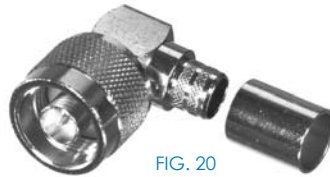


FIG. 20
RFN-1009-I



FIG. 21
RFN-1009-X-04

PHOTOS FOR REFERENCE ONLY, SHOWN AT 75% ACTUAL SIZE.

| PART # | FIG | DESCRIPTION | CBL GRP | NOTES | REPLACES OR EQUIVALENT TO | PLATING | | | RECOM- MENDED TOOL |
|----------------|-----|------------------------|---------|---|---------------------------------------|---------|-----|-----|-----------------------------|
| | | | | | | BDY | P/C | DIE | |
| RFN-1006-9I | 13 | MALE CRIMP | I | FOR BELDEN 9913 & TIMES LMR-400; HEX & KNURLED SHELL; 2-PIECE DESIGN | FOR SOLID CENTER CONDUCTOR CABLE ONLY | N | G | T | RFA-4009-205 |
| RFN-1006-9L2 | 14 | MALE CRIMP | L2 | FOR TIMES LMR-600; HEX & KNURLED SHELL; 3-PIECE DESIGN WITH HEAT SHRINK | | WB | G | T | RFA-4005-305 & RFA-4009-201 |
| RFN-1006-9X | 15 | MALE CRIMP | X | FOR RG-8/X & TIMES LMR-240; 2-PIECE DESIGN | | N | G | T | RFA-4009-203 |
| RFN-1006-I | 10 | MALE CRIMP | I | FOR BELDEN 9913 & TIMES LMR-400 | | N | G | T | RFA-4005-200 |
| RFN-1006-I-WB | 16 | MALE CRIMP | I | FOR BELDEN 9913 & TIMES LMR-400; HEX & KNURLED SHELL, WITH HEAT SHRINK | TIMES TC-400-NMH-D | WB | G | T | RFA-4005-200 |
| RFN-1006-L6 | 10 | MALE CRIMP | L6 | FOR TIMES LMR-300 | | N | G | T | RFA-4005-400 & RFA-4005-308 |
| RFN-1006-PL | 10 | MALE CRIMP | PL | FOR BELDEN 89913 PLENUM | | S | G | T | RFA-4005-200 |
| RFN-1007-2SP | 7 | MALE CRIMP | P | FOR PROFLEX | | S | G | T | RFA-4009-203 |
| RFN-1007-2SX | 7 | MALE CRIMP | X | FOR RG-8/X & TIMES LMR-240 | | S | G | T | RFA-4009-203 |
| RFN-1007-X | 7 | MALE CRIMP | X | FOR RG-8/X & TIMES LMR-240 | | N | G | T | RFA-4005-400 |
| RFN-1009-3E | 17 | MALE RIGHT ANGLE CRIMP | E | FOR RG-8/U | | S | G | T | RFA-4009-205 |
| RFN-1009-3I | 17 | MALE RIGHT ANGLE CRIMP | I | FOR BELDEN 9913 & TIMES LMR-400 | | S | G | T | RFA-4009-205 |
| RFN-1009-B-03 | 18 | MALE RIGHT ANGLE CRIMP | B | SQUARE BODY, FOR RG-174/U | | N | G | T | RFA-4009-204 |
| RFN-1009-C | 19 | MALE RIGHT ANGLE CRIMP | C | FOR RG-58/U | | S | G | T | RFA-4009-206 |
| RFN-1009-C-03 | 18 | MALE RIGHT ANGLE CRIMP | C | SQUARE BODY, FOR RG-58/U | | N | G | T | RFA-4009-206 |
| RFN-1009-C1 | 19 | MALE RIGHT ANGLE CRIMP | C1 | FOR RG-142/U | | S | G | T | RFA-4009-206 |
| RFN-1009-C1-03 | 18 | MALE RIGHT ANGLE CRIMP | C1 | FOR RG-142/U, SQUARE BODY | | N | G | T | RFA-4009-206 |
| RFN-1009-C2 | 19 | MALE RIGHT ANGLE CRIMP | C2 | FOR TIMES LMR-200 | | S | G | T | RFA-4009-206 |
| RFN-1009-I | 20 | MALE RIGHT ANGLE CRIMP | I | FOR BELDEN 9913 & TIMES LMR-400 | | WB | G | T | RFA-4009-205 |
| RFN-1009-PL | 17 | MALE RIGHT ANGLE CRIMP | PL | FOR BELDEN 89913 PLENUM | | S | G | T | RFA-4009-205 |
| RFN-1009-X-04 | 21 | MALE RIGHT ANGLE CRIMP | X | FOR RG-8/X & TIMES LMR-240 | | N | G | T | RFA-4009-203 |

N CONNECTORS AND IN-SERIES ADAPTERS



FIG. 22
RFN-1010-1



FIG. 23
RFN-1011-1



FIG. 24
RFN-1012-1



FIG. 25
RFN-1013-1



FIG. 26
RFN-1013-1-03



FIG. 27
RFN-1014-1



FIG. 28
RFN-1020-1



FIG. 29
RFN-1021, -2

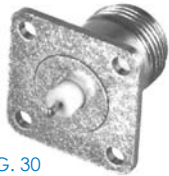


FIG. 30
RFS-2068



FIG. 31
RFN-1021-03



FIG. 32
RFN-1021-1



FIG. 33
RFN-1021-11



FIG. 34
RFN-1021-14



FIG. 35
RFN-1021-2SR2



FIG. 36
RFN-1021-4

PHOTOS FOR REFERENCE ONLY, SHOWN AT 75% ACTUAL SIZE.

| PART # | FIG | DESCRIPTION | CBL GRP | NOTES | REPLACES OR EQUIVALENT TO | PLATING | | | RECOMMENDED TOOL |
|---------------|-----|-----------------------------|---------|---|---------------------------|---------|-----|-----|------------------|
| | | | | | | BDY | P/C | DIE | |
| RFN-1010-1 | 22 | T ADAPTER | | N DOUBLE FEMALE TO N MALE | UG-107B/U | S | G | T | |
| RFN-1011-1 | 23 | T ADAPTER | | N TRIPLE FEMALE | UG-28A/U | S | G | T | |
| RFN-1012-1 | 24 | RIGHT ANGLE ADAPTER | | N FEMALE TO N MALE | UG-27A/U, B/U, C/U, D/U | S | G | T | |
| RFN-1013-1 | 25 | BARREL ADAPTER | | N FEMALE TO N FEMALE | UG-29B/U, C/U | S | G | T | |
| RFN-1013-1-03 | 26 | BARREL ADAPTER | | N FEMALE TO N FEMALE | | N | G | T | |
| RFN-1014-1 | 27 | BARREL ADAPTER | | N MALE TO N MALE | UG-57B/U | S | G | T | |
| RFN-1020-1 | 28 | FEMALE PANEL MOUNT | | 2 HOLE FLANGE | | S | G | T | |
| RFN-1021 | 29 | FEMALE PANEL MOUNT | | 4 HOLE FLANGE | UG-58A/U | S | G | T | |
| RFS-2068 | 30 | N FEMALE 4-HOLE PANEL MOUNT | | SOLDER TAB | | N | G | T | |
| RFN-1021-03 | 31 | FEMALE PANEL MOUNT | | 4 HOLE FLANGE | | N | G | T | |
| RFN-1021-1 | 29 | FEMALE PANEL MOUNT | | 4 HOLE FLANGE WITH REMOVABLE PIN & FLUSH DIELECTRIC | UG-58A/U | S | G | T | |
| RFN-1021-11 | 33 | FEMALE PANEL MOUNT | | 4 HOLE FLANGE W/ POST TERMINAL, EXTENDED DIELECTRIC | | N | G | T | |
| RFN-1021-14 | 34 | FEMALE PANEL MOUNT | | 4 HOLE FLANGE WITH SLOTTED TERMINAL CONTACT | | | | | |
| RFN-1021-2 | 29 | FEMALE PANEL MOUNT | | 4 Hole Flange w/ Soldercup | UG-58A/U | N | G | T | |
| RFN-1021-2SR2 | 35 | FEMALE PANEL MOUNT | SR2 | 4 HOLE FLANGE, DIRECT SOLDER, FOR .141" SEMI-RIGID CABLE | DIRECT SOLDER | S | G | T | |
| RFN-1021-4 | 36 | FEMALE PANEL MOUNT | | MINI 4 HOLE FLANGE W/ POST TERMINAL, .730" EXTENDED DIELECTRIC & O-RING | | N | G | T | |

N CONNECTORS AND IN-SERIES ADAPTERS — continued ←

N



FIG. 37
RFN-1021-5



FIG. 38
RFN-1021-6



FIG. 39
RFN-1022, -1



FIG. 40
RFN-1022-2SR2,
-SR1, -SR2, -SR3



FIG. 41
RFN-1022-3, -3-03



FIG. 42
RFN-1022-5, -5-03



FIG. 43
RFN-1022-8, -8-B1,
-8-C, -8-C1, -8-C2, -X



FIG. 44
RFN-1023

PHOTOS FOR REFERENCE ONLY, SHOWN AT 75% ACTUAL SIZE.

| PART # | FIG | DESCRIPTION | CBL GRP | NOTES | REPLACES OR EQUIVALENT TO | PLATING | | | RECOM-MENDED TOOL |
|---------------|-----|------------------------------|---------|---|---------------------------|---------|-----|-----|-------------------|
| | | | | | | BDY | P/C | DIE | |
| RFN-1021-5 | 37 | FEMALE PANEL MOUNT | | MINI 4 HOLE FLANGE W/ POST TERMINAL, .260" EXTENDED DIELECTRIC & O-RING | .260 | N | G | T | |
| RFN-1021-6 | 38 | FEMALE CLAMP PANEL MOUNT | C, C1 | 4 HOLE FLANGE, FOR RG-58/U & RG-142/U | UG1095A/U, B/U, C/U | S | G | T | RFA-4009-206 |
| RFN-1022 | 39 | FEMALE BULKHEAD | | FRONT MOUNT, NO D-FLAT | | S | G | T | |
| RFN-1022-1 | 39 | FEMALE BULKHEAD | | FRONT MOUNT WITH DOUBLE D-FLAT | UG-680/U, A/U | S | G | T | |
| RFN-1022-2SR2 | 40 | FEMALE BULKHEAD | SR2 | REAR MOUNT WITH DOUBLE D-FLAT, FOR .141 SEMI-RIGID CABLE | DIRECT SOLDER | S | G | T | |
| RFN-1022-3 | 41 | FEMALE BULKHEAD | | FRONT MOUNT, LONG WITH DOUBLE D-FLAT | | S | G | T | |
| RFN-1022-3-03 | 41 | FEMALE BULKHEAD | | FRONT MOUNT, LONG WITH DOUBLE D-FLAT | | S | G | T | |
| RFN-1022-5 | 42 | FEMALE BULKHEAD | | FRONT MOUNT WITH D-FLAT & O-RING | | N | G | T | |
| RFN-1022-5-03 | 42 | FEMALE BULKHEAD | | FRONT MOUNT WITH D-FLAT, .375" OPENING, BECU CONTACT | | N | G | T | |
| RFN-1022-8 | 43 | FEMALE CRIMP BULKHEAD | B | REAR MOUNT WITH O-RING, FOR RG-174/U | FOR RG-174/U & RG-316/U | N | G | T | RFA-4009-204 |
| RFN-1022-8-B1 | 43 | FEMALE CRIMP BULKHEAD | B1 | REAR MOUNT W/ O-RING, FOR RG-316/U DOUBLE SHIELD | FOR RD-174/U & RD-316/U | N | G | T | RFA-4009-204 |
| RFN-1022-8-C | 43 | FEMALE CRIMP BULKHEAD | C | REAR MOUNT WITH O-RING, FOR RG-58/U | | N | G | T | RFA-4009-206 |
| RFN-1022-8-C1 | 43 | FEMALE CRIMP BULKHEAD | C1 | REAR MOUNT WITH O-RING, FOR RG-142/U | | N | G | T | RFA-4009-206 |
| RFN-1022-8-C2 | 43 | FEMALE CRIMP BULKHEAD | C2 | REAR MOUNT WITH O-RING, FOR LMR-200 | | N | G | T | RFA-4009-206 |
| RFN-1022-SR1 | 40 | FEMALE BULKHEAD | SR1 | REAR MOUNT WITH DOUBLE D-FLAT, FOR .085" SEMI-RIGID CABLE | DIRECT SOLDER | N | G | T | |
| RFN-1022-SR2 | 40 | FEMALE BULKHEAD | SR2 | REAR MOUNT WITH DOUBLE D-FLAT, FOR .141" SEMI-RIGID CABLE | DIRECT SOLDER | N | G | T | |
| RFN-1022-SR3 | 40 | FEMALE BULKHEAD | SR3 | REAR MOUNT WITH DOUBLE D-FLAT, FOR .250" SEMI-RIGID CABLE | DIRECT SOLDER | N | G | T | |
| RFN-1022-X | 43 | FEMALE CRIMP BULKHEAD | X | REAR MOUNT WITH O-RING, FOR LMR-240 | | N | G | T | RFA-4005-400 |
| RFN-1023 | 44 | BULKHEAD FRONT MOUNT ADAPTER | | N FEMALE TO N FEMALE | UG-30C/U | S | G | T | |



PHOTOS FOR REFERENCE ONLY, SHOWN AT 75% ACTUAL SIZE.

| PART # | FIG | DESCRIPTION | CBL GRP | NOTES | REPLACES OR EQUIVALENT TO | PLATING | | | RECOMMENDED TOOL |
|--------------|-----|--------------------------------------|---------|---------------------------------|---------------------------|---------|-----|-----|------------------|
| | | | | | | BDY | P/C | DIE | |
| RFN-1024-1 | 45 | FEMALE CLAMP | E | FOR RG-8/U | UG-23D/U, F/U | S | G | T | |
| RFN-1024-1SI | 45 | FEMALE CLAMP | I | FOR BELDEN 9913 & TIMES LMR-400 | | S | G | T | |
| RFN-1024-PL | 45 | FEMALE CLAMP | PL | FOR BELDEN 89913 PLENUM | | S | G | T | |
| RFN-1025-1 | 46 | FEMALE CLAMP | C, C1 | FOR RG-58/U & RG-142/U | | S | G | T | |
| RFN-1025-C2 | 46 | FEMALE CLAMP | C2 | FOR TIMES LMR-200 | | S | G | T | |
| RFN-1026-1P | 47 | FEMALE CLAMP | P | FOR PROFLEX | | S | G | T | RFA-4009-206 |
| RFN-1026-1X | 47 | FEMALE CLAMP | X | FOR RG-8/X & TIMES LMR-240 | | S | G | T | RFA-4009-206 |
| RFN-1027 | 48 | FEMALE CRIMP | C | FOR RG-58/U | | N | G | T | RFA-4009-206 |
| RFN-1027-B | 49 | FEMALE CRIMP | B | FOR RG-174/U & RG-316/U | | N | G | T | RFA-4005-200 |
| RFN-1027-C1 | 48 | FEMALE CRIMP | C1 | FOR RG-142 | | S | G | T | RFA-4009-206 |
| RFN-1027-C2 | 48 | FEMALE CRIMP | C2 | FOR TIMES LMR-200 | | S | G | T | RFA-4009-206 |
| RFN-1027-N | 48 | FEMALE CRIMP | C | FOR RG-58/U | | N | G | T | RFA-4009-206 |
| RFN-1027-SB | 49 | FEMALE CRIMP | B | FOR RG-174/U & RG-316/U | | S | G | T | RFA-4005-200 |
| RFN-1028 | 51 | FEMALE CRIMP | E | FOR RG-8/U | AMPH. 82-0337 | S | G | T | RFA-4009-205 |
| RFN-1028-2L2 | 50 | FEMALE CRIMP | L2 | FOR TIMES LMR-600 | | S | G | T | RFA-4009-201 |
| RFN-1028-F | 51 | FEMALE CRIMP | F | FOR RG-9/U & RG-214/U | | S | G | T | RFA-4005-200 |
| RFN-1028-I | 51 | FEMALE CRIMP | I | FOR BELDEN 9913 & TIMES LMR-400 | | N | G | T | RFA-4005-200 |
| RFN-1028-PL | 51 | FEMALE CRIMP | PL | FOR BELDEN 89913 PLENUM | | S | G | T | RFA-4005-200 |
| RFN-1028-SI | 51 | FEMALE CRIMP | I | FOR BELDEN 9913 & TIMES LMR-400 | | S | G | T | RFA-4005-200 |
| RFN-1029-SP | 48 | FEMALE CRIMP | P | FOR PROFLEX | | S | G | T | RFA-4009-203 |
| RFN-1029-SX | 48 | FEMALE CRIMP | X | FOR RG-8/X & TIMES LMR-240 | | S | G | T | RFA-4009-203 |
| RFN-1041-1 | 52 | MALE PANEL MOUNT | | 4 HOLE FLANGE, SOLDERCUP | | S | G | T | |
| RFN-1054-AV | 53 | RIGHT ANGLE ADAPTER | | N MALE TO N MALE | | N | G | T | |
| RFS-2030 | 54 | N FEMALE BULKHEAD VERTICAL PCB MOUNT | | DOUBLE D FLAT, 1.645" THREADS | | N | S | T | |