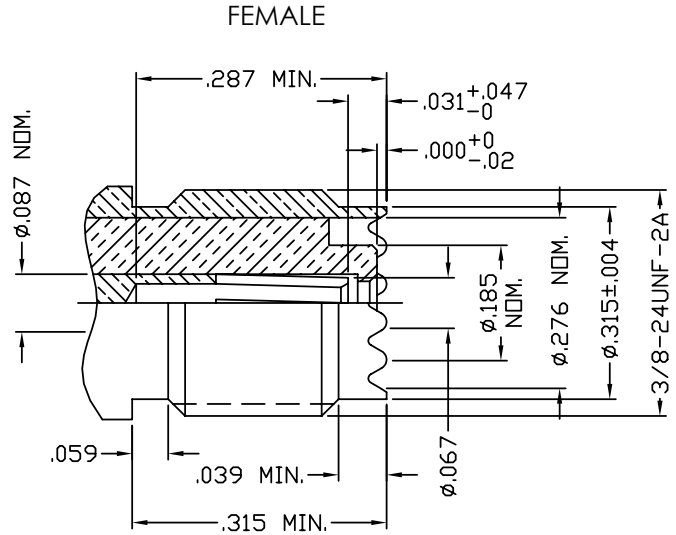
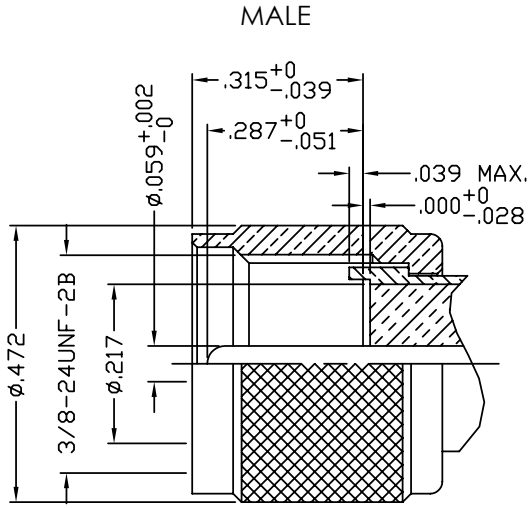


Mini-UHF

Mini-UHF



SPECIFICATIONS

ELECTRICAL SPECIFICATIONS
 WORKING VOLTAGE RATING: 335 VRMS
 IMPEDANCE: 50 Ω (DEPENDENT ON CABLE)
 FREQUENCY RANGE: 0-2.5 GHz

MECHANICAL SPECIFICATIONS
 MATING: 3/8 - 24 THREADED COUPLING
 CABLING: CRIMP AND SOLDER

PLATING
 C - BLACK CHROME
 G - GOLD
 N - NICKEL
 S - SILVER

DIELECTRIC MATERIAL
 B - DAP
 D - DELRIN
 PP - POLYPROPYLENE
 T - TEFLON

CABLE GROUPS

GRP	FOR THESE CABLE TYPES
B	TIMES LMR-100A; RG-174, 188, 188A, 316/U; ALPHA 9174, 9316; BELDEN 7805A, 8216, 83269, 83284, 84316; COMMSCOPE AMC-174, WBC-100
B1	RG-316/U DOUBLE SHIELD; RD-316; BELDEN 83269; COLEMAN 1596
C	TIMES LMR-195; RG-58, 58A, 58C, 141, 141A/U; ANDREW CNT-195, CNT-195-DB, CNT-195-FR; BELDEN 7806A, 8219, 8240, 8259, 8262, 9201, 9203, 9310, 9311; COMMSCOPE WBC-195, WBC-195R, 0268, TCOM-195, TCOM-195-FR; HARBOUR HPF195
C1	RG-55, 55A, 55B, 142, 142A, 142B, 223, 400/U; ALPHA 9055, 9055B, 9223; BELDEN 7806A, 83242, 84142
D	RG-59, 59A, 59B, 62, 62A, 62C/U; ALPHA 9059, 9062, 9830, 9840, 9845; BELDEN 8221, 8241, 9169, 9204, 9228; CANARE LV-61S; COMMSCOPE 5550, 5555, 5560, 5563
M	TIMES MSI-15; RG-122/U; BELDEN 82907, 88240, 89907; MOTOROLA WHITE TEFLON
P	TIMES AA-3096; ANTENNA SPECIALIST K214, PRO-FLEX 800
X	TIMES LMR-240, LMR-240 ULTRAFLEX; RG-8X; ANDREW CNT-240, CNT-240AL, CNT-240ALS, CNT-240-DB, CNT-240-FR, CNT-240-W; BELDEN 9258; COMMSCOPE TCOM-240, TCOM-240-FR, WBC-240, WBC-240R; HARBOUR HPF240; MICRO 8/U; REMEE 1600; SAXTON 8315



MINI-UHF CONNECTORS AND IN-SERIES ADAPTERS — continued

Mini-UHF



PHOTOS FOR REFERENCE ONLY, SHOWN AT 100% ACTUAL SIZE.

PART #	FIG	DESCRIPTION	CBL GRP	NOTES		PLATING			RECOM- MENDED TOOL
						BDY	P/C	DIE	
RFU-600	1	MALE PUSH-ON FERRULE	C	NO INSTALLATION TOOLS NEEDED, FOR RG-58/U	AMPHENOL 81-0103	N	S	T	RFA-4005-400
RFU-600-1	2	MALE CRIMP	C	AMP DRAWN METAL TYPE, FOR RG-58/U		N	G	D	RFA-4005-400
RFU-600-1C1	5	MALE CRIMP	C1	FOR RG-142/U		N	G	D	RFA-4005-400
RFU-600-10C	4	MALE R/A CRIMP	C	FOR RG-58/U		N	G	T	RFA-4009-206
RFU-600-10C-03	4	MALE R/A CRIMP	C	FOR RG-58/U	ROLLER CRIMP SHELL	N	G	T	RFA-4009-206
RFU-600-10C1	4	MALE R/A CRIMP	C1	FOR RG-142/U		N	G	T	RFA-4009-206
RFU-600-1P	3	MALE CRIMP	P	FOR PROFLEX		N	G	D	RFA-4009-203
RFU-600-1X	5	MALE CRIMP	X	FOR RG-8X & TIMES LMR-240	AMPHENOL 81-114	N	G	D	RFA-4009-203
RFU-600-2	6	MALE CRIMP	C	SHORT, DIECAST ZINC, FOR ONAGLASS ANTENNAS, BLACK, FOR RG-58/U	AMPHENOL 81-115BK-1000	C	G	D	RFA-4009-206
RFU-600-3	5	MALE CRIMP	B	FOR RG-174/U		N	G	T	RFA-4009-204
RFU-600-3B1	5	MALE CRIMP	B1	FOR RG-316/U DOUBLE SHIELD		N	G	T	RFA-4009-204
RFU-600-5	7	MALE CRIMP	C	QUICK DISCONNECT, FOR RG-58/U		N	G	D	RFA-4009-206
RFU-600-5C1	7	MALE CRIMP	C1	FOR RG-142/U		N	G	D	RFA-4009-206
RFU-600-6	8	MALE CRIMP	C	FOR RG-58/U	AMP 2266-001, AMPHENOL 81-115	N	S	D	RFA-4009-206
RFU-600-6C1	8	MALE CRIMP	C1	FOR RG-142/U		N	S	D	RFA-4009-206
RFU-600-7	9	MALE CRIMP	C3, M	FOR MOTOROLA WHITE TEFLON & BELDEN 89907		N	G	T	RFA-4009-206
RFU-601-1	10	FEMALE CRIMP	C	FOR RG-58/U	AMP 2266-02-1, AMPHENOL 81-116	N	S	D	RFA-4009-206
RFU-601-1P	10	FEMALE CRIMP	P	FOR PROFLEX		N	S	D	RFA-4009-203
RFU-601-1X	10	FEMALE CRIMP	X	FOR RG-8X & TIMES LMR-240	AMPHENOL 81-117	N	S	T	RFA-4009-203
RFU-601-3	10	FEMALE CRIMP	B	FOR RG-174/U		N	G	T	RFA-4009-204
RFU-601-4	11	FEMALE CRIMP	X	FOR RG-8X & TIMES LMR-240		N	G	D	RFA-4009-203
RFU-601-5	10	FEMALE CRIMP	D	FOR RG-59/U		N	G	D	RFA-4009-203
RFU-601-B1	10	FEMALE CRIMP	B1	FOR RG-316/U DOUBLE SHIELD		N	G	T	RFA-4009-204
RFU-601-C1	10	FEMALE CRIMP	C1	FOR RG-142/U		N	S	D	RFA-4009-206
RFU-602	12	FEMALE BULKHEAD		FRONT MOUNT WITH D-FLAT		N	G	T	
RFU-602-1	13	FEMALE BULKHEAD		REAR MOUNT, WITH .5" THREADED LENGTH & D-FLAT		N	S	T	
RFU-602-1SPL	14	FEMALE BULKHEAD		REAR MOUNT, WITH .92" THREADED LENGTH & DOUBLE D-FLAT		N	S	T	
RFU-602-2	15	FEMALE BULKHEAD		REAR MOUNT, WITH .6" THREADED LENGTH & D-FLAT	AMPHENOL 81-120	N	S	T	

MINI-UHF CONNECTORS AND IN-SERIES ADAPTERS — continued

Mini-UHF



FIG. 16
RFU-602-3



FIG. 17
RFU-603, -1



FIG. 18
RFU-603-2



FIG. 19
RFU-606-5



FIG. 20
RFU-617-B, -B1



FIG. 21
RFU-624



FIG. 22
RFU-629



FIG. 23
RFU-630



FIG. 24
RFU-630-1



FIG. 25
RFU-630-6, -7, -8



FIG. 26
RFU-631



FIG. 27
RFU-632



FIG. 28
RFU-643

PHOTOS FOR REFERENCE ONLY, SHOWN AT 100% ACTUAL SIZE.

PART #	FIG	DESCRIPTION	CBL GRP	NOTES		PLATING			RECOM- MENDED TOOL
						BDY	P/C	DIE	
RFU-602-3	16	FEMALE BULKHEAD		REAR MOUNT, WITH 1" THREADED LENGTH & DOUBLE D-FLAT		N	S	T	
RFU-603	17	FEMALE PANEL MOUNT		4 HOLE FLANGE	AMP 226601-1, AMPHENOL 81-118	N	G	T	
RFU-603-1	17	FEMALE PANEL MOUNT		4 HOLE FLANGE, DIECAST ZINC		N	S	B	
RFU-603-2	18	FEMALE PANEL MOUNT		2 HOLE FLANGE SHORT, BLACK BODY, DIECAST ZINC		C	G	D	
RFU-606-5	19	FEMALE RIGHT ANGLE PCB				T	T	P	
RFU-617-B	20	FEMALE CRIMP BULKHEAD	B	REAR MOUNT, FOR RG-174/U	AMP 228903-4	N	G	D	RFA-4009-204
RFU-617-B1	20	FEMALE CRIMP BULKHEAD	B1	FOR RG-316/U DOUBLE SHIELD		N	G	D	RFA-4009-204
RFU-624	21	ADAPTER		MINI UHF MALE TO MINI-UHF MALE		N	G	T	
RFU-629	22	BARREL ADAPTER		MINI UHF FEMALE TO MINI UHF FEMALE	MOTOROLA 5580367B30	N	G	T	
RFU-630	23	RIGHT ANGLE ADAPTER		MINI UHF MALE TO MINI UHF FEMALE, MITERED		N	G	T	
RFU-630-1	24	RIGHT ANGLE ADAPTER		MINI UHF MALE TO 2.5" EXT. MINI UHF FEMALE, BLACK BODY	AMPHENOL 81-121	C	G	T	
RFU-630-6	25	RIGHT ANGLE ADAPTER		MINI UHF MALE TO MINI UHF FEMALE, WITH SQUARE BODY	MOTOROLA 58C83488R02	N	G	T	
RFU-630-7	25	RIGHT ANGLE ADAPTER		MINI UHF MALE TO MINI UHF FEMALE, WITH SQUARE BODY		N	T	T	
RFU-630-8	25	RIGHT ANGLE ADAPTER		MINI UHF MALE TO MINI UHF FEMALE, WITH SQUARE BODY	MOTOROLA 58C80643E01	N	T	T	
RFU-631	26	T-ADAPTER		MINI UHF MALE TO MINI UHF DOUBLE FEMALE		N	S	T	
RFU-632	27	T-ADAPTER		MINI UHF TRIPLE FEMALE		N	S	T	
RFU-643	28	ADAPTER		MINI UHF MALE QUICK DISCONNECT TO MINI UHF FEMALE		N	G	T	