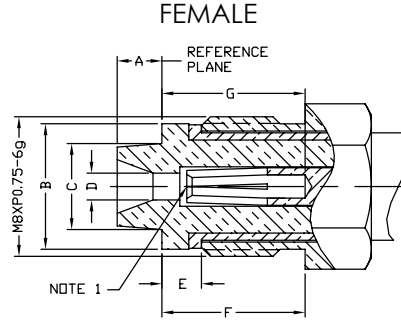


LETTER	INCHES [MILLIMETERS]	
	MINIMUM	MAXIMUM
A	.220 [5.59]	-
B	.298 [7.57]	.300 [7.62]
C	.098 [2.49]	-
D	.046 [1.17]	.048 [1.23]
E	.189 [4.80]	-
F	-	.315 [8.00]



LETTER	INCHES [MILLIMETERS]	
	MINIMUM	MAXIMUM
A	-	.098 [2.50]
B	-	.276 [7.00]
C	-	.189 [4.80]
D	.051 [1.30]	-
E	.087 [2.20]	-
F	.315 [8.00]	-
G	.315 [8.00]	-

NOTE 1: I.D. TO MEET VSWR AND CONTACT RESISTANCE REQUIREMENTS

## SPECIFICATIONS

### ELECTRICAL SPECIFICATIONS

IMPEDANCE: 50 Ω  
 WORKING VOLTAGE RATING: 335 VRMS @SEA LEVEL  
 (DEPENDENT ON CABLE)  
 FREQUENCY RANGE: 0-2 GHz

### MECHANICAL SPECIFICATIONS

MATING: M8XP .75 THREAD

### PLATING

G - GOLD  
 N - NICKEL

### DIELECTRIC MATERIAL

D - DELRIN  
 T - TEFLON

## CABLE GROUPS

### GRP FOR THESE CABLE TYPES

B	TIMES LMR-100A; RG-174, 188, 188A, 316/U; ALPHA 9174, 9316; BELDEN 7805A, 8216, 83269, 83284, 84316; COMMSCOPE AMC-174, WBC-100
C	TIMES LMR-195; RG-58, 58A, 58C, 141, 141A/U; ANDREW CNT-195, CNT-195-DB, CNT-195-FR; BELDEN 7806A, 8219, 8240, 8259, 8262, 9201, 9203, 9310, 9311; COMMSCOPE WBC-195, WBC-195R, 0268, TCOM-195, TCOM-195-FR; HARBOUR HPF195
C1	RG-55, 55A, 55B, 142, 142A, 142B, 223, 400/U; ALPHA 9055, 9055B, 9223; BELDEN 7806A, 83242, 84142
C2	TIMES LMR-200, MSI-22; ALPHA 9848; BELDEN 7807A; COMMSCOPE AMC-58LL, WBC-200, WBC-200R, TCOM-200, TCOM-200-FR; HARBOUR HPF200
X	TIMES LMR-240, LMR-240 ULTRAFLEX; RG-8X; ANDREW CNT-240, CNT-240AL, CNT-240ALS, CNT-240-DB, CNT-240-FR, CNT-240-W; BELDEN 9258; COMMSCOPE TCOM-240, TCOM-240-FR, WBC-240, WBC-240R; HARBOUR HPF240; MICRO 8/U; REMEE 1600; SAXTON 8315



PHOTOS FOR REFERENCE ONLY, SHOWN AT 100% ACTUAL SIZE.

PART #	FIG	DESCRIPTION	CBL GRP	NOTES	PLATING			RECOMMENDED TOOL
					BDY	P/C	DIE	
RFE-6000-B	1	MALE CRIMP	B	FOR RG-174/U	N	G	T	RFA-4009-204
RFE-6000-C	2	MALE CRIMP	C	FOR RG-58/U	N	G	T	RFA-4009-206
RFE-6050-C	3	FEMALE CRIMP	C	FOR RG-58/U	N	G	D	RFA-4009-206
RFE-6050-C1	3	FEMALE CRIMP	C1	FOR RG-142/U	N	G	T	RFA-4009-206
RFE-6050-C2	3	FEMALE CRIMP	C2	FOR TIMES LMR-200	N	G	T	RFA-4009-206
RFE-6050-X	3	FEMALE CRIMP	X	FOR RG-8/X & TIMES LMR-240	N	G	T	RFA-4009-203
RFE-6100	4	ADAPTER		FME MALE TO FME MALE	N	G	T	