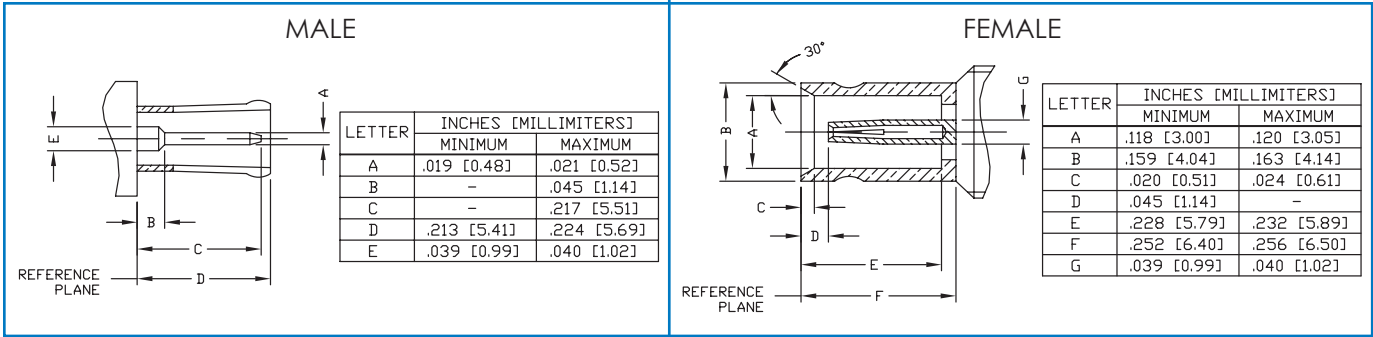
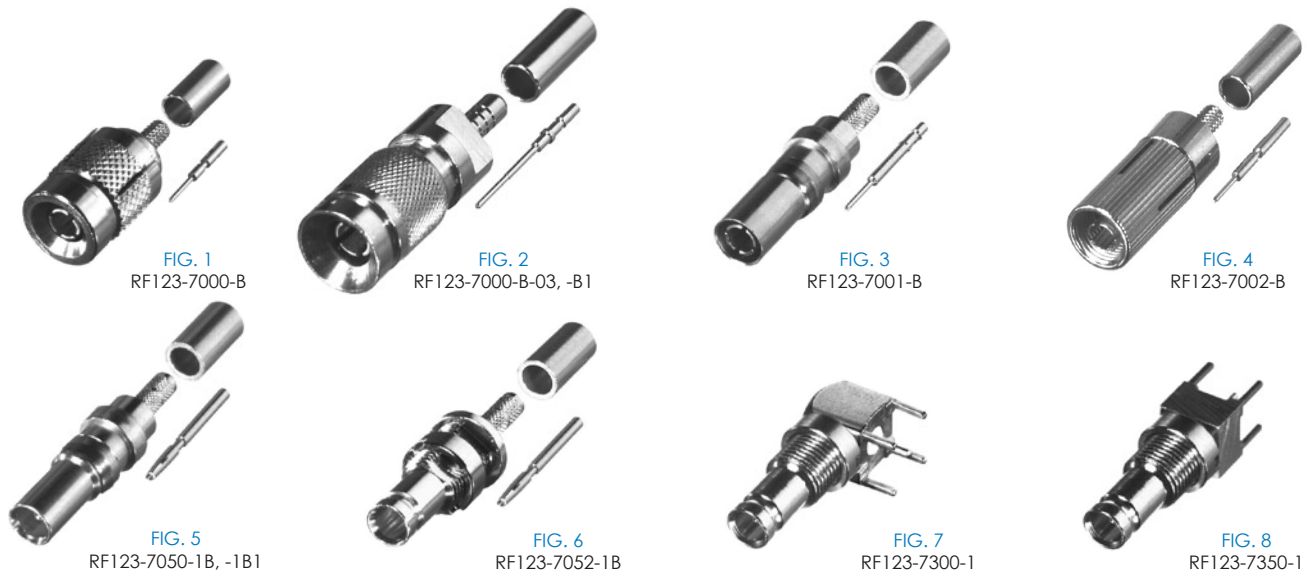


1.0/2.3 Series

1.0/2.3



SPECIFICATIONS	CABLE GROUPS	
<p>ELECTRICAL SPECIFICATIONS IMPEDANCE: 50 Ω WORKING VOLTAGE RATING: 250 VRMS @ SEA LEVEL FREQUENCY RANGE: 0-4 GHz</p> <p>MECHANICAL SPECIFICATIONS CABLING: CRIMP AND PCB SOLDER INTERFACE: CECC 22230</p> <p>PLATING N - NICKEL G - GOLD</p> <p>DIELECTRIC MATERIAL T - TEFLON</p>	GRP	FOR THESE CABLE TYPES
	B	TIMES LMR-100A; RG-174, 188, 188A, 316/U; ALPHA 9174, 9316; BELDEN 7805A, 8216, 83269, 83284, 84316; COMMSCOPE AMC-174
	B1	RG-316/U DOUBLE SHIELD; RD-316
FOR A MORE EXTENSIVE LISTING OF CABLE GROUPS, PLEASE REFER TO PAGES 130-139		



PHOTOS FOR REFERENCE ONLY, SHOWN AT 150% ACTUAL SIZE.

PART #	FIG	DESCRIPTION	CBL GRP	NOTES	PLATING			RECOMMENDED TOOL
					BDY	P/C	DIE	
RF123-7000-B	1	MALE SNAP ON CRIMP	B	FOR RG-174/U	N	G	T	RFA-4009-204
RF123-7000-B-03	2	MALE PUSH ON CRIMP	B,B1	FOR RG-174/U, RG-316/U & RG-316/U DOUBLE SHIELD	N	G	T	RFA-4009-204
RF123-7000-B1	2	MALE SNAP ON CRIMP	B1	FOR RG-174/U & RG-316/U DOUBLE-SHIELD	N	G	T	RFA-4009-204
RF123-7001-B	3	MALE SLIDE ON CRIMP	B	FOR RG-174/U	N	G	T	RFA-4009-204
RF123-7002-B	4	MALE SCREW ON CRIMP	B	FOR RG-174/U	N	G	T	RFA-4005-300
RF123-7050-1B	5	FEMALE SLIDE ON CRIMP	B	FOR RG-174/U	G	G	T	RFA-4009-204
RF123-7050-1B1	5	FEMALE SLIDE ON CRIMP	B,B1	FOR RG-174/U, RG-316/U & RG-316/U DOUBLE SHIELD	G	G	T	RFA-4009-204
RF123-7052-1B	6	FEMALE CRIMP BULKHEAD	B	WITH DOUBLE D FLAT, FOR RG-174/U	G	G	T	RFA-4009-204
RF123-7300-1	7	FEMALE RIGHT ANGLE PCB BULKHEAD		WITH DOUBLE D FLAT, 4 LEG	G	G	T	
RF123-7350-1	8	FEMALE VERTICAL PCB BULKHEAD		4 LEG	G	G	T	