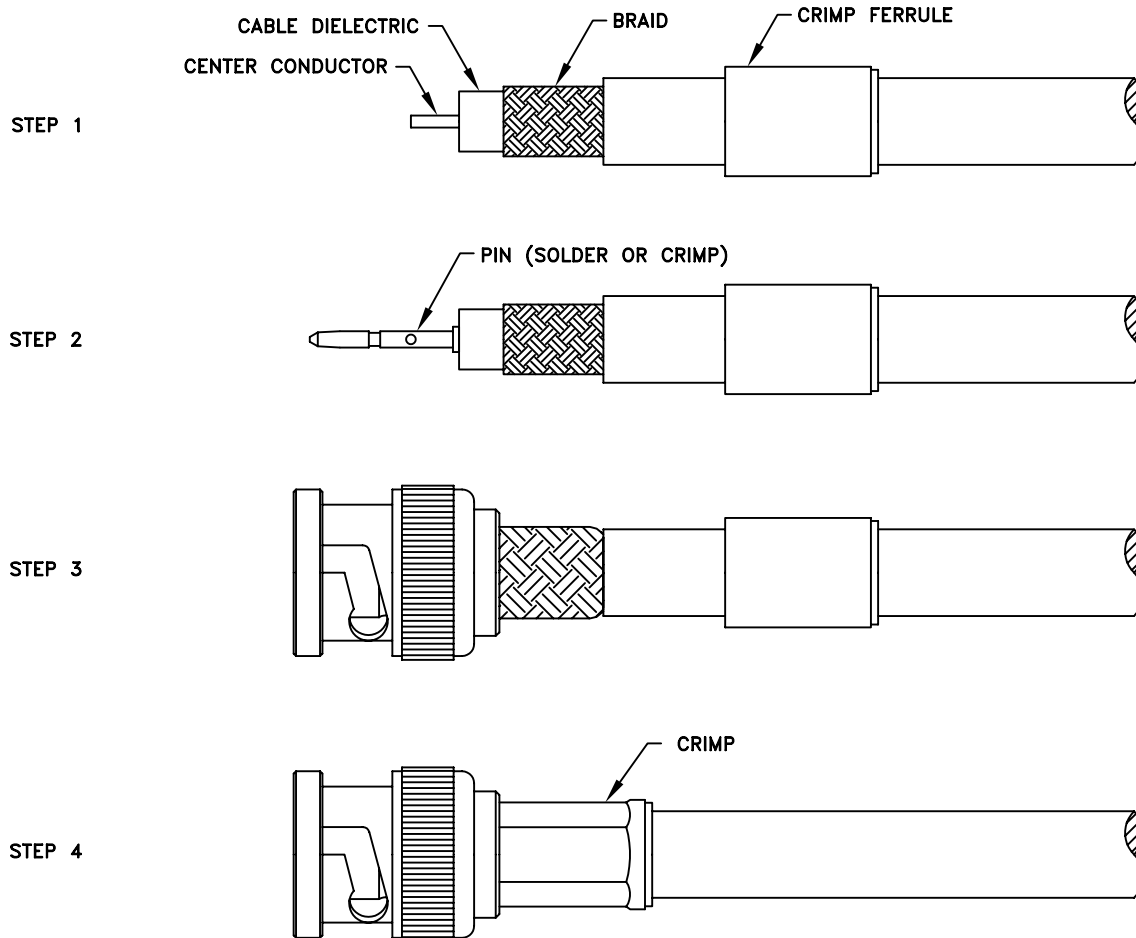
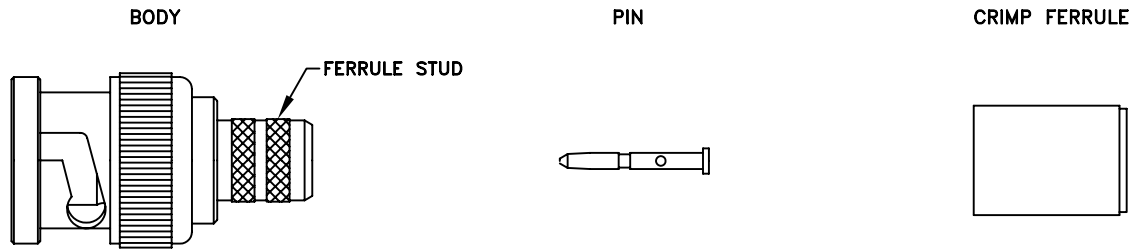


CABLE ASSEMBLY INSTRUCTIONS

RFB-1707-Q



- Step 1: Cut end of cable evenly. Strip cable to dimensions shown in catalog or on outline drawing. All cuts are to be clean and square. Do not nick braid or center conductor when cutting. Slide ferrule over cable. If using strain relief or heat shrink tubing slide onto cable first.
- Step 2: Pre tin cable conductor if using stranded cable (if needed). Slide pin onto center conductor until it yields against the cable dielectric. Solder or crimp pin in place. If soldering use minimum amount of heat.
- Step 3: Slide ferrule stud under braid, while inserting the pin into the body. The pin will snap into place within the dielectric.
- Step 4: Slide the ferrule over the braid until it yields against the back of the connector. Crimp the ferrule with crimp tool as specified on connector drawing. Trim any extra braid extending out of ferrule end.

RFB-1707-Q AP.DWG

RF CONNECTORS

10/14/08

7610 Miramar Road, San Diego, CA 92126-4202 - (858) 549-6340
(800) 233-1728 - Fax (858) 549-6345 E-mail: rfi@rfindustries.com - www.rfindustries.com

CZ