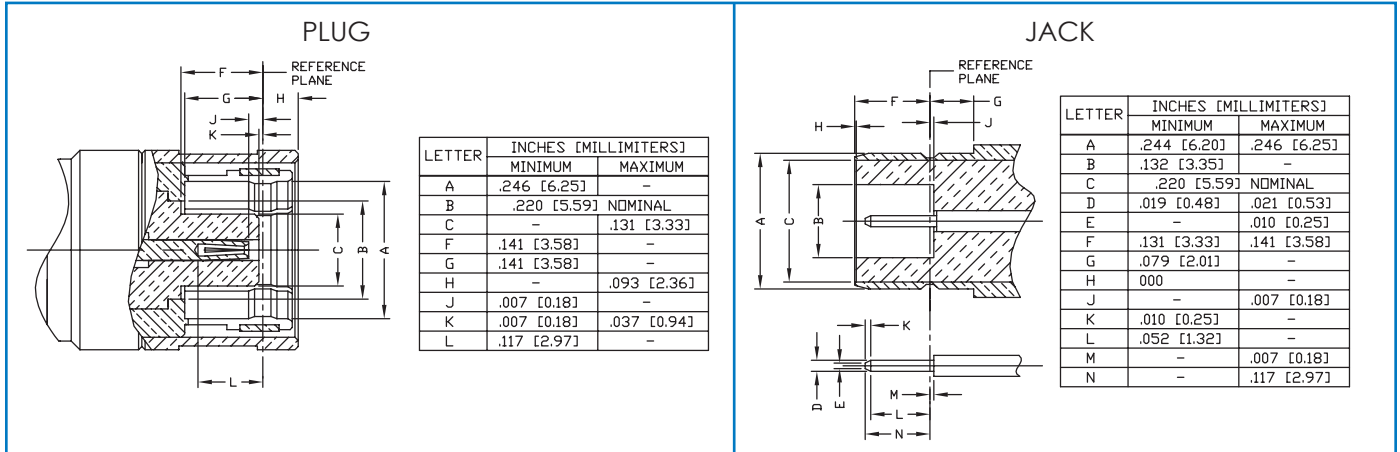


SMZ 75 Ohm (TYPE 43)

SMZ -75 Ohm



SPECIFICATIONS

ELECTRICAL SPECIFICATIONS

IMPEDANCE: 75 Ω
 WORKING VOLTAGE RATING: 500 VRMS @ SEA LEVEL
 (DEPENDENT ON CABLE)
 FREQUENCY RANGE: 0-3 GHz

MECHANICAL SPECIFICATIONS

MATING: SNAP ON COUPLING, POSI-LOCK
 INTERFACE: MIL-STD-348
 CABLING: CRIMP FOR RG-179/U ONLY

PLATING

G - GOLD
 N - NICKEL

DIELECTRIC MATERIAL

T - PTFE



PHOTOS FOR REFERENCE ONLY, SHOWN AT 100% ACTUAL SIZE.

FOR MOUNTING CONFIGURATIONS

PART #	FIG	DESCRIPTION	NOTES AND CABLE GROUPS	PLATING			RECOMMENDED TOOL
				BDY	P/C	DIE	
RSB-300-1-179	1	Crimp Plug	for RG-179/U Only	G	G	T	RFA-4009-204
RSB-301-179	2	Crimp Plug	with POSI-LOCK Shell, for RG-179/U Only	N	G	T	RFA-4009-204
RSB-310-1-179	3	Right Angle Crimp Plug	for RG-179/U Only	G	G	T	RFA-4009-204
RSB-350-1	4	Vertical PCB Mount Jack		G	G	T	
RSB-355-1	5	Right Angle PCB Mount Jack		G	G	T	