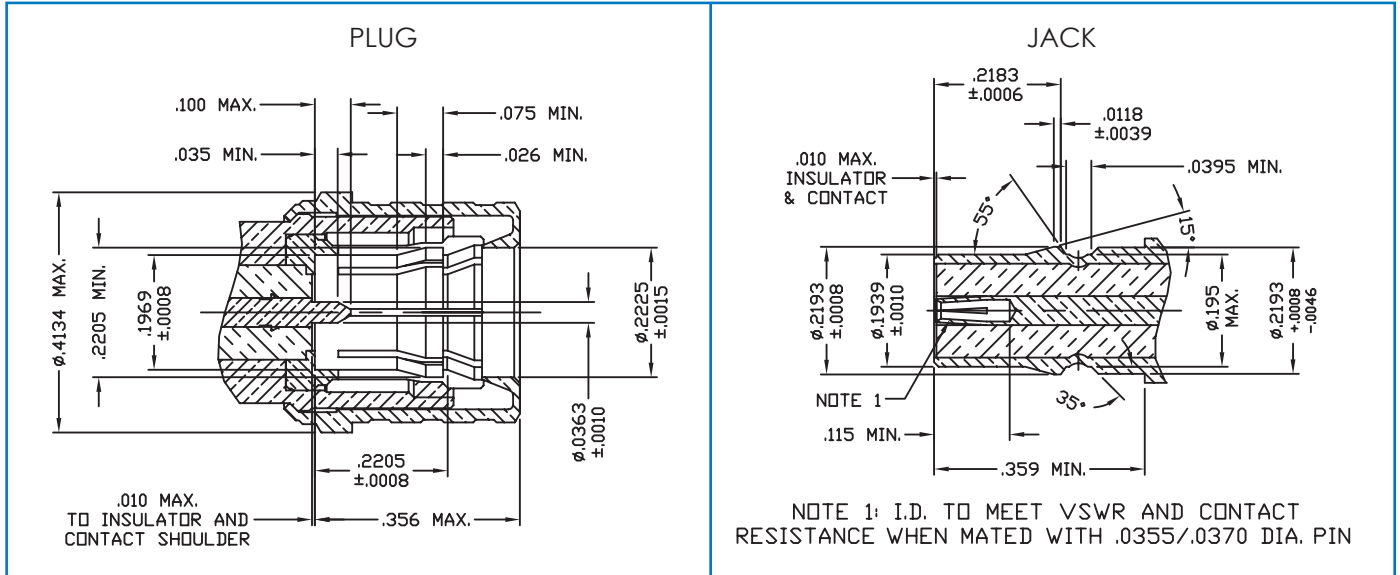


QMA (QUICK MATE)



SPECIFICATIONS		CABLE GROUPS	
ELECTRICAL SPECIFICATIONS IMPEDANCE: 50 Ω WORKING VOLTAGE RATING: 335 VRMS SEA LEVEL FREQUENCY RANGE: 0-6 GHZ MECHANICAL SPECIFICATIONS MATING: FORCE TO ENGAGE CABLING: CRIMP AND SOLDER PLATING G - GOLD WB - WHITE BRONZE DIELECTRIC MATERIAL T - PTFE	GRP	FOR THESE CABLE TYPES	
	C	TIMES LMR-195; RG-58, 58A, 58C, 141, 141A/U; ANDREW CNT-195, CNT-195-DB, CNT-195-FR; BELDEN 7806A, 8219, 8240, 8259, 8262, 9201, 9203, 9310, 9311; COMMSCOPE WBC-195, WBC-195R, 0268, TCOM-195, TCOM-195-FR; HARBOUR HPF195	
	C1	RG-55, 55A, 55B, 142, 142A, 142B, 223, 400/U; ALPHA 9055, 9055B, 9223; BELDEN 7806A, 83242, 84142	
	C2	TIMES LMR-200, MSI-22; ALPHA 9848; BELDEN 7807A; COMMSCOPE AMC-58LL, WBC-200, WBC-200R, TCOM-200, TCOM-200-FR; HARBOUR HPF200	
	X	RG-8X; BELDEN 9258; COMMSCOPE BWC-240, BWC-240R; MICRO 8/U; REMEE 1600; SAXTON 8315; TIMES LMR-240, LMR-240 ULTRAFLEX	
FOR A MORE EXTENSIVE LISTING OF CABLE GROUPS			



FIG. 1
RQA-5000-C,
-C1, -X



FIG. 2
RQA-5010-8X



FIG. 3
RQA-5010-C, -C1, -X



FIG. 4
QMA-TOOL

PHOTOS FOR REFERENCE ONLY, SHOWN AT 100% ACTUAL SIZE.

FOR MOUNTING CONFIGURATIONS

PART #	FIG	DESCRIPTION	CBL GRP	NOTES	PLATING			RECOM- MENDED TOOL
					BDY	P/C	DIE	
RQA-5000-C	1	QMA Plug, Crimp (Snap Lock)	C		WB	G	T	RFA-4009-206
RQA-5000-C1	1	QMA Plug, Crimp (Snap Lock)	C1		WB	G	T	RFA-4009-206
RQA-5000-X	1	QMA Plug, Crimp (Snap Lock)	X		WB	G	T	RFA-4005-100
RQA-5010-8X	2	QMA Right Angle Plug, Crimp (Snap Lock)	X	Solderless Contact, Includes Heat Shrink	WB	G	T	RFA-4009-203
RQA-5010-C	3	QMA Right Angle Plug, Crimp (Snap Lock)	C, C2		WB	G	T	RFA-4009-206
RQA-5010-C1	3	QMA Right Angle Plug, Crimp (Snap Lock)	C1		WB	G	T	RFA-4009-206
RQA-5010-X	3	QMA Right Angle Plug, Crimp (Snap Lock)	X		WB	G	T	RFA-4009-203
QMA-TOOL	4	Assembly Tool for Pressing Cap Right Angle Plug			SST	—	—	