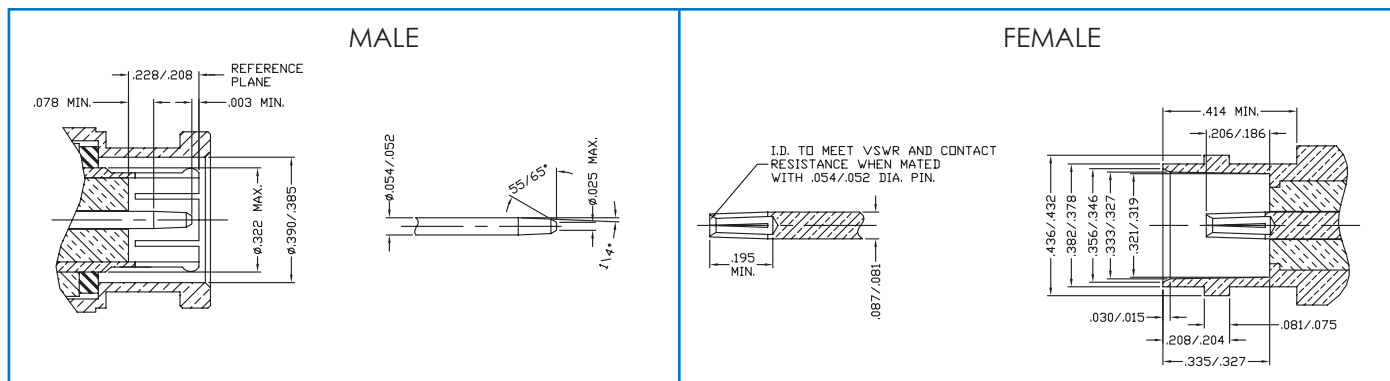


BNC — 75 OHM

BNC - 75 Ohm



SPECIFICATIONS	CABLE GROUPS	
<p>ELECTRICAL SPECIFICATIONS IMPEDANCE: 75 Ω WORKING VOLTAGE RATING: 500 VRMS FREQUENCY RANGE: 0-2 GHz</p> <p>MECHANICAL SPECIFICATIONS MATING: 2-STUD BAYONET LOCK COUPLING INTERFACE: MIL-STD-348 CABLING: CLAMP, CRIMP, COMPRESSION AND TWIST-ON</p> <p>PLATING G - GOLD N - NICKEL S - SILVER TP - THERMOPLASTIC</p> <p>DIELECTRIC MATERIAL D - DELRIN P - POLYPROPYLENE T - PTFE TP - THERMOPLASTIC</p>	GRP	FOR THESE CABLE TYPES
	D	RG-59, 59A, 59B, 62, 62A, 62C/U; ALPHA 9059, 9062, 9830, 9840, 9845; BELDEN 8221, 8241, 9169, 9204, 9228; CANARE LV-61S; COMMSCOPE 5550, 5555, 5560, 5563
	D1	BELDEN 1426A, 1505A, 8212, 8241F, 9100, 9110, 9165, 9171, 9240, 9259, 9265, 9274, 9275, 9659, YR2393D; COMMSCOPE 5553, 5565, 5552, 5550, 5567, 5571
	D2	BELDEN 8279, 8279A, 9209, 9209A, 82241, 88241; COMMSCOPE 2041K, 7573
	D3	RG-59/U TYPE; BELDEN 1506A, 1825A, 1826A, 82108, 89108, 89259; COMMSCOPE 2045, 2045V, 2065V
	G	ALPHA 9807, 9808, 9813; BELDEN 8281, 9141, 9231, 88281; COMMSCOPE 2527K, 7501, 7503, 7505, 7506; CANARE LV-775; WESTERN ELECTRIC WE724, WE728, WE729
	J	BELDEN 1164A, 1164B, 1167B, 1263A, 1406B, 1407B, 1417B, 1818B, 1865A, 8218; COMMSCOPE 7537, 753603, 753604, 753605; RAYCHEM EPD 0810
	K	COMMSCOPE 735, 73501, 73501P
	Q	RG-6/U TYPE; BELDEN 1694A, 9248; COMMSCOPE 5715, 5729, 5765
	Q1	RG-6/U TYPE PLENUM; BELDEN 1695A, 82120, 82248, 87120, 89120, 89248; COMMSCOPE 2278, 2278V, 2279, 2279V
	R	RG-11/U TYPE; BELDEN 8213, 8238, 8261, 9011, 9292; COMMSCOPE 3247, 5901, 5903, 5908, 5909, 5916, 5916R, 5918
	S	RG-161, 179, 179A, 187, 187A/U; BELDEN 1520A, 1521A, 1522A, 9221; COMMSCOPE 15-55340
	FOR A MORE EXTENSIVE LISTING OF CABLE GROUPS	



PHOTOS FOR REFERENCE ONLY, SHOWN AT 100% ACTUAL SIZE.

FOR MOUNTING CONFIGURATIONS

PART #	FIG	DESCRIPTION	CBL GRP	NOTES	REPLACES OR EQUIVALENT TO	PLATING			RECOMMENDED TOOL
						BDY	P/C	DIE	
RFB-1701-D	1	Male Clamp	D	for RG-59/U	Huber Suhner 11 BNC-75-4-2	N	G	T	
RFB-1701-G	1	Male Solder Clamp	G	Belden 8281		N	S	T	
RFB-1705	2	Male Twist-On	D	for RG-59/U		N	G	D	
RFB-1706-9	3	Male Crimp	D	Quick Disconnect for RG-59/U		N	G	D	REA-4009-203

